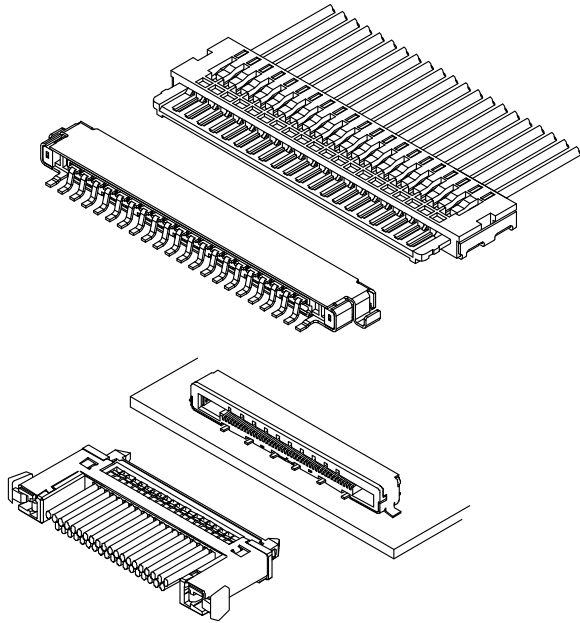


# A1001 FI-X CONNECTOR

1.00mm Pitch/Disconnectable Crimp style connectors



- The LVDS crimp style connector. It is used to connect the display screen to the main board. Height of 1.65 mm
- Compact, low profile design.



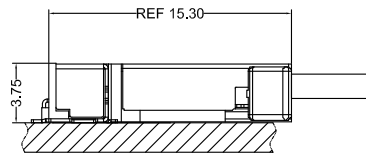
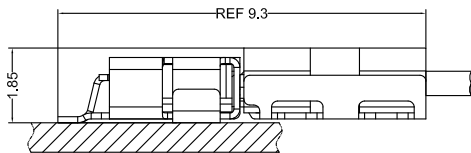
## Specifications:

- Current rating: 1.0 A AC,DC (AWG #28)
- Voltage rating: 200 V AC/DC
- Temperature range: -40°C ~ +105°C  
(including temperature rise in applying electrical current)
- Contact resistance: Initial value/ 40m  $\Omega$  max  
After environmental testing/ 40m  $\Omega$  max
- Insulation resistance: 100 M  $\Omega$  min
- Withstanding voltage: 500 VAC/minute
- Applicable wire: Conductor size/ AWG#36 to #28  
Insulation O.D./ 0.3 to 0.5 mm

- \* Compliant with RoHS2/ HF/ REACH
- \* In using the products, refer to "Handling Precautions for Terminals and Connectors" described on our website (Technical documents of Product information page).
- \* Contact CSG for details

## Material:

Housing: PA46/ PA66,UL94-V0;Color:Natural/ Black  
Terminal: Phosphor/ Gold-Plated  
Wafer Housing: LCP,UL94-V0;Color:Gray/ Black  
Wafer Pin: Phosphor/ Gold-plated/3U"/ 5U"  
Wafer Shell: Brass/ Tin-plated

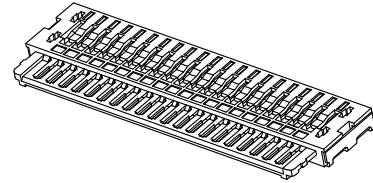
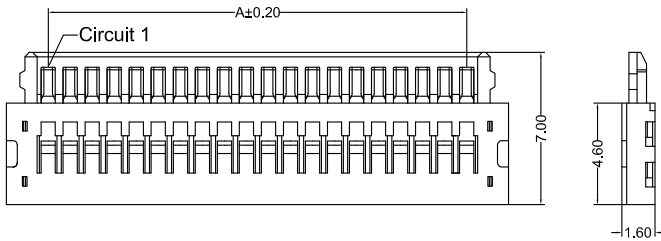


- Note: 1. The above figure is the figure viewed from the connector mounting side.  
2. Tolerances are non-cumulative:  $\pm 0.08$  mm for all centers.  
3. The dimensions above should serve as a guideline. Contact CSG for details.

**CSG**

Tel:+86-769-85312070 85375507 E-mail:James@csg-china.com www.csg-china.com www.jst-connector.cn

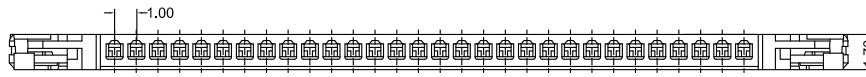
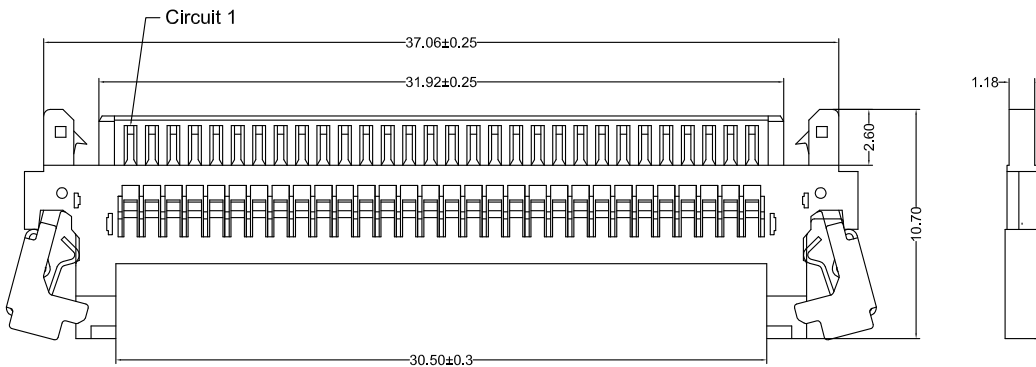
# A1001 FI-X



A1001HF 0XX AA P4 A 001  
 PIN  
 002=2PINS  
 SPECIAL  
 AA=NO Special  
 Material  
 P4=PA46 94V-0

Code  
 001  
 Color  
 A=Natural

CSG PART NO.	Dimension mm		Q'ty/BAG
	A	B	
A1001HF020AAP4A001	19.00	23.30	1000PCS
A1001HF030AAP4A001	29.00	33.30	1000PCS



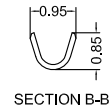
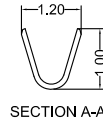
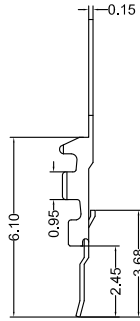
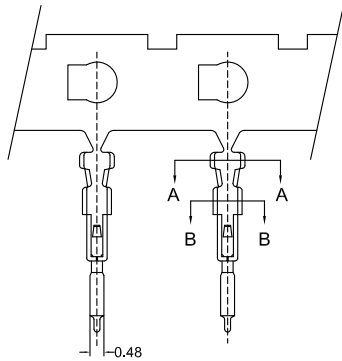
A1001HF 030 AJ P4 A 001  
 PIN  
 030=30PINS  
 SPECIAL  
 AJ=With hook  
 Material  
 P4=PA46 94V-0

Code  
 001  
 Color  
 A=Natural

**CSG**

Tel:+86-769-85312070 85375507 E-mail:James@csg-china.com www.csg-china.com www.jst-connector.cn

# A1001 FI-X



A1001 M 0 A GF 001

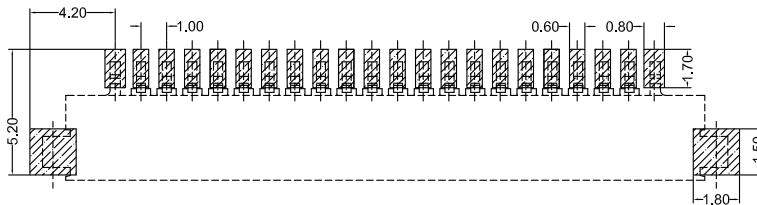
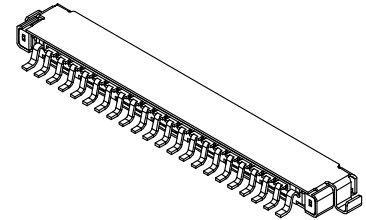
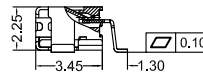
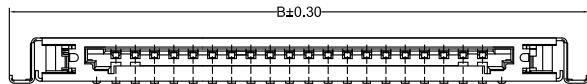
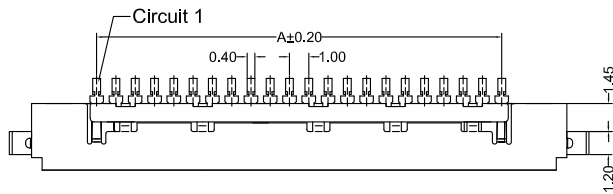
Type  
M=Female Terminal

Material  
A=Phosphor

Finish  
GF=Gold-Plated

Code  
001

CSG PART NO.	Wire Range	Insulation O.D.	Q'ty/Reel
A1001M0AGF001	AWG#28-#36	0.50mm(max)	25000PCS



Recommended P.C.B Layout  
General Tolerance±0.05

A1001RS 020 AA LP GF B 8 001

PIN  
020=20PINS

SPECIAL  
AA=NO Special

Material  
LP=LCP 94V-0

Finish  
G1=Terminal Gold-3U"

Code  
001

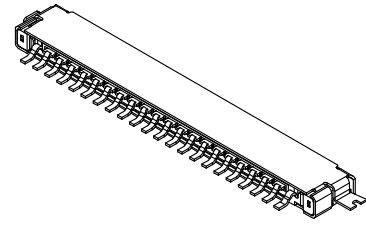
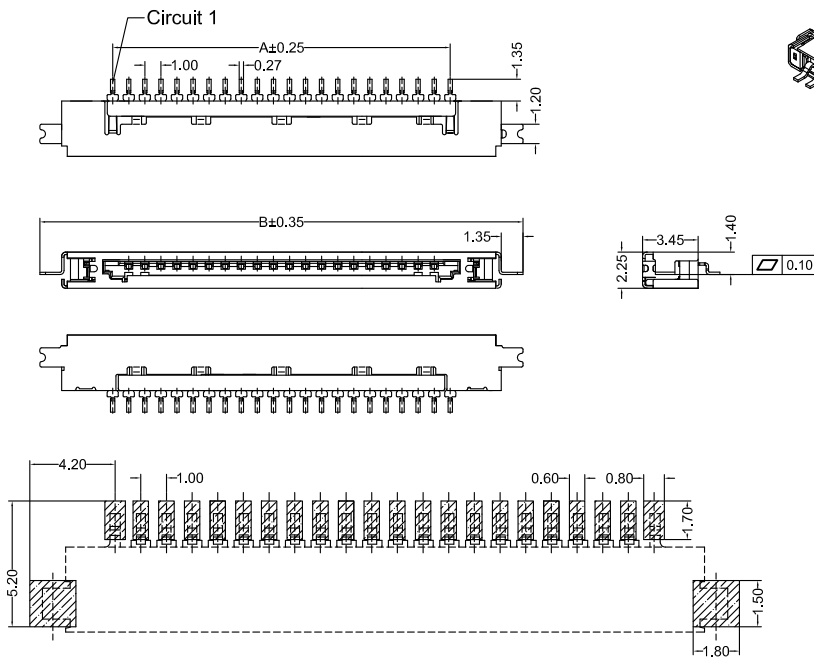
Color  
8=Grye

Packing  
B=Tape & Reel

CSG PART NO.	Dimension mm		Q'ty/Reel
	A	B	
A1001RS020AALPG1B8001	19.00	30.05	2600PCS
A1001RS030AALPG1B8001	29.00	40.05	2600PCS



# A1001 FI-X

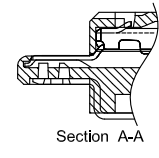
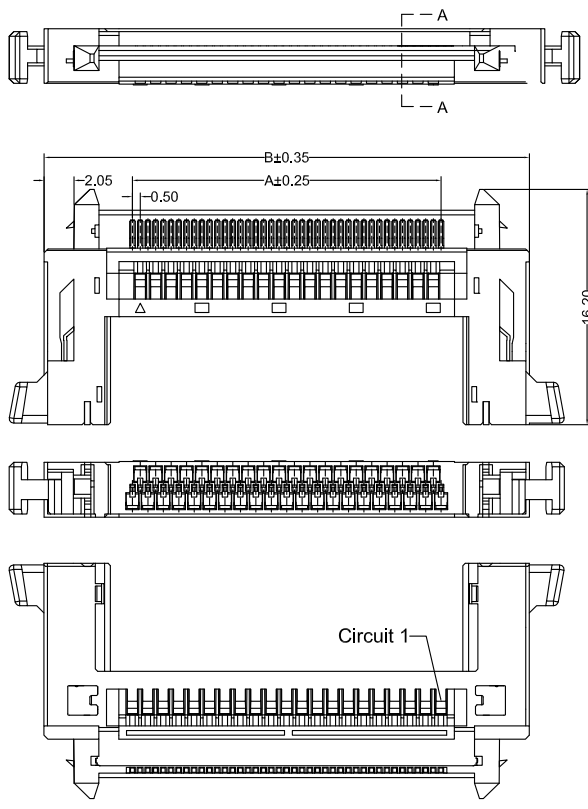


A1001RS\_0XX CB LP G1 B 8 001

- PIN 020=20PINS
- SPECIAL CB=Sunken plate
- Material LP=LCP 94V-0
- Finish G1=Terminal Gold-3U"
- Code 001
- Color 8=Grye
- Packing B=Tape & Reel

Recommended P.C.B Layout  
General Tolerance±0.05

CSG PART NO.	Dimension mm		Q'ty/Reel
	A	B	
A1001RS020CBLPG1B8001	19.00	30.05	2600PCS
A1001RS030CBLPG1B8001	29.00	40.05	2600PCS



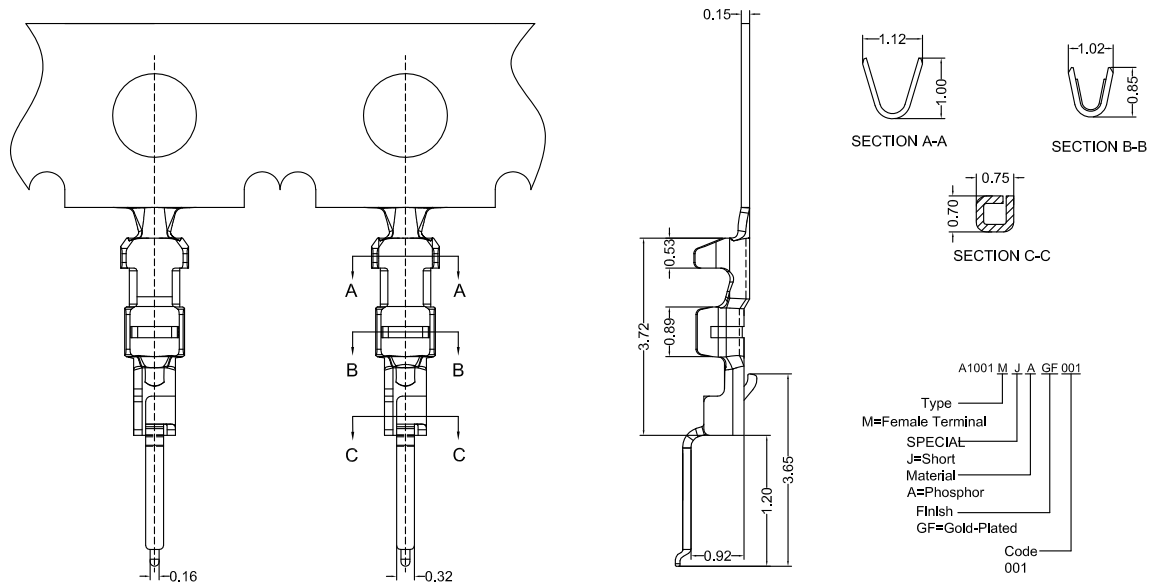
A1001HF\_0XX AJ P6 0 001

- PIN 041=41PINS
- SPECIAL AJ=With hook
- Material P6=PA66 94V-0
- Code 001
- Color 0=Black

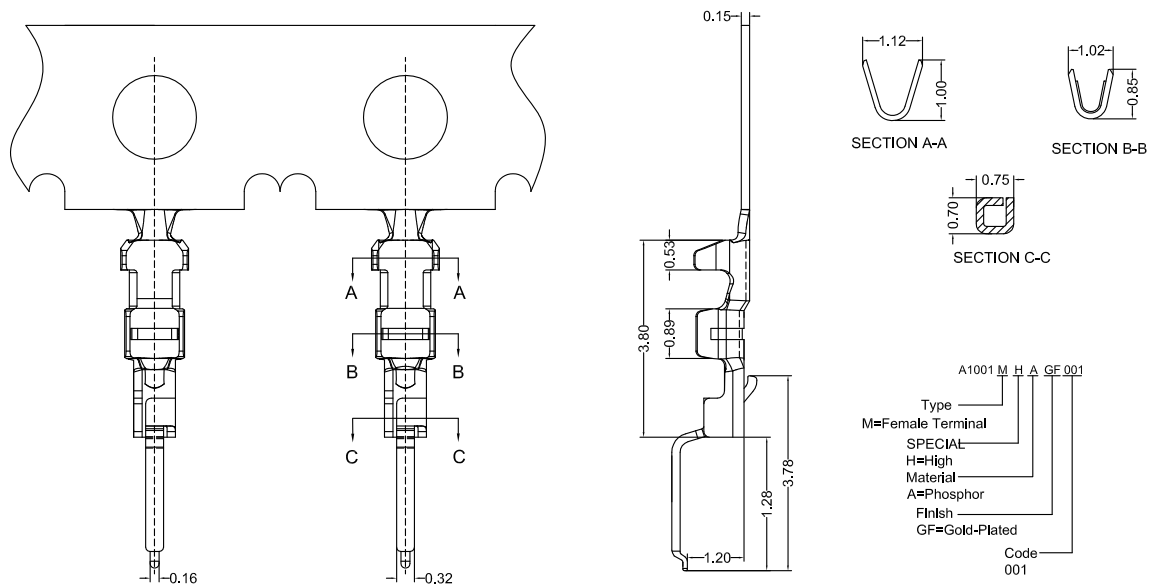
CSG PART NO.	Dimension mm		Q'ty/BAG
	A	B	
A1001HF041AJP60001	19.00	23.30	1000PCS
A1001HF051AJP60001	29.00	33.30	1000PCS



# A1001 FI-X



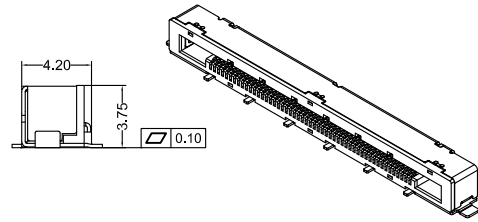
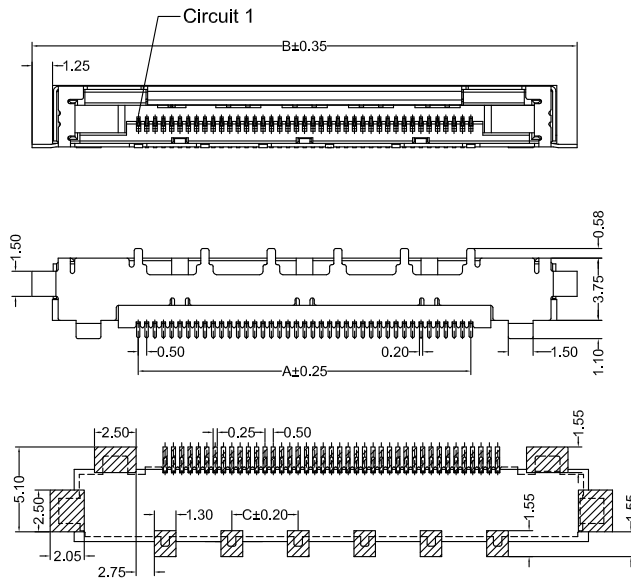
CSG PART NO.	Wire Range	Insulation O.D.	Q'ty/Reel
A1001MJAGF001	AWG#28-#36	0.50mm(max)	25000PCS



CSG PART NO.	Wire Range	Insulation O.D.	Q'ty/Reel
A1001MHAGF001	AWG#28-#36	0.50mm(max)	25000PCS



# A1001 FI-X



A1001RS.0XX AA LP G5 B 0 001

- PIN
- 041=41PINS
- SPECIAL
- AA=NO Special
- Material
- LP=LCP 94V-0
- Finish
- G5=Terminal Gold-5U\*
- Code
- 001
- Color
- 0=Black
- Packing
- B=Tape & Reel

Recommended P.C.B Layout  
General Tolerance±0.05

CSG PART NO.	Dimension mm			Q'ty/Reel
	A	B	C	
A1001RS041AALPG5B0001	20.00	32.85	4.00	1000PCS
A1001RS051AALPG5B0001	25.00	37.85	5.00	1000PCS

