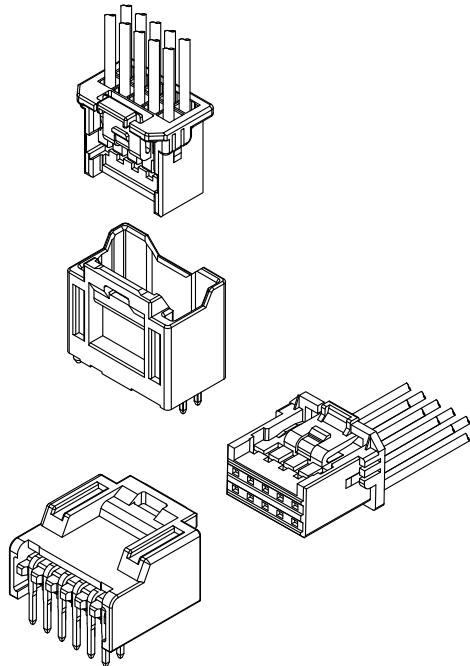


# A2024 501646 CONNECTOR

2.00mm Pitch/Disconnectable Crimp style connectors

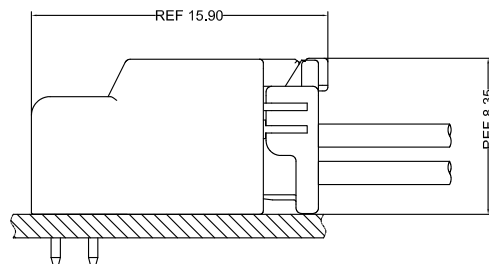
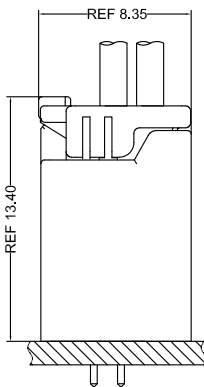


## Specifications:

- Current rating: 3 A AC,DC (AWG #22)
  - Voltage rating: 250 V AC/DC
  - Temperature range: -25°C ~ +105°C  
(including temperature rise in applying electrical current)
  - Contact resistance: Initial value/ 10m Ω max  
After environmental testing/ 20m Ω max
  - Insulation resistance: 1000 M Ω min
  - Withstanding voltage: 1000 VAC/minute
  - Applicable wire: Conductor size/ AWG#28~#22  
Insulation O.D./ 0.76 to 1.40 mm
- \* Compliant with RoHS2/ REACH  
\* Refer to "General Instruction and Notice when using Terminals and Connectors"  
\* Contact CSG for details

## Material:

Housing: PA66/UL94-V0;Color:Gray  
Terminal: Phosphor/ Tin-plated  
DIP Wafer Housing: PA66,UL94-V0;Color:Gray  
DIP Pin: Brass/ Tin-plated

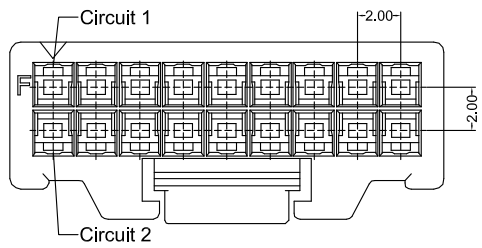
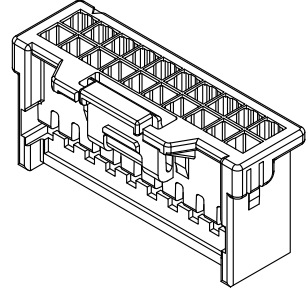
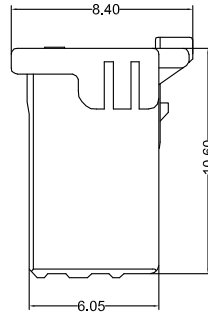
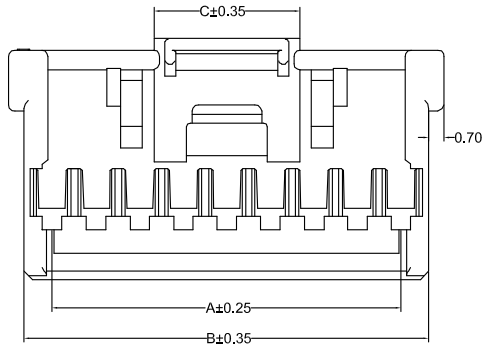


- Note: 1. The above figure is the figure viewed from the connector mounting side.  
2. Tolerances are non-cumulative:  $\pm 0.08$  mm for all centers.  
3. The dimensions above should serve as a guideline. Contact CSG for details.

**CSG**

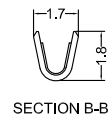
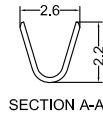
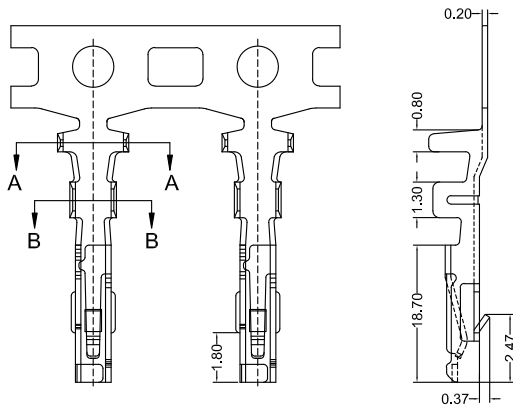
Tel:+86-769-85312070 85375507 E-mail:James@csg-china.com www.csg-china.com www.jst-connector.cn

# A2024 501646



A2024HF 2XX AK P6 8 001  
 PIN 205=2X5PINS  
 SPECIAL  
 AK=BUCKLE  
 Material P6=PA66 94V-0  
 Code 001  
 Color 8=Gray

CSG PART NO.	Dimension mm			Q'ty/BAG
	A	B	C	
A2024HF205AKP68001	8.00	10.60	5.10	1000PCS
A2024HF206AKP68001	10.00	12.60	6.80	1000PCS
A2024HF207AKP68001	12.00	14.60	6.80	1000PCS
A2024HF208AKP68001	14.00	16.60	6.80	1000PCS
A2024HF209AKP68001	16.00	18.60	6.80	1000PCS
A2024HF210AKP68001	18.00	20.60	6.80	1000PCS
A2024HF211AKP68001	20.00	22.60	6.80	1000PCS
A2024HF212AKP68001	22.00	24.60	6.80	1000PCS
A2024HF213AKP68001	24.00	26.60	6.80	1000PCS
A2024HF214AKP68001	26.00	28.60	6.80	1000PCS
A2024HF215AKP68001	28.00	30.60	6.80	1000PCS
A2024HF216AKP68001	30.00	32.60	6.80	1000PCS
A2024HF217AKP68001	32.00	34.60	6.80	1000PCS
A2024HF218AKP68001	34.00	36.60	6.80	1000PCS
A2024HF219AKP68001	36.00	38.60	6.80	1000PCS
A2024HF220AKP68001	38.00	40.60	6.80	1000PCS



A2024 M 0 TP 001  
 Type M=Female Terminal  
 Material A=Phosphor  
 Finish TP=TlN-Plated  
 Code 001

CSG PART NO.	Wire Range	Insulation O.D.	Q'ty/Reel
A2024M0ATP001	AWG#22-#28	1.40mm(max)	10000PCS



# A2024 501646

