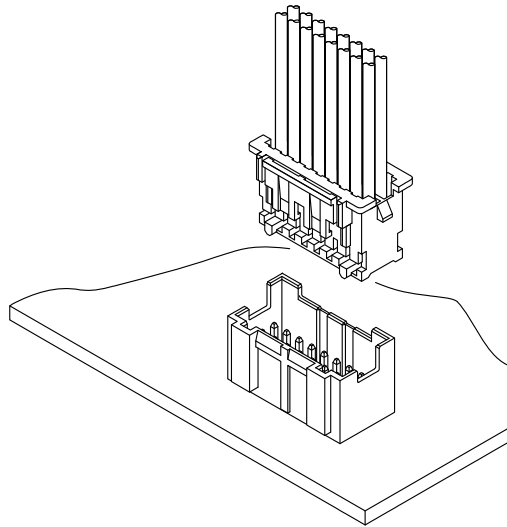


A2022 PAD CONNECTOR

2.00mm Pitch/Disconnectable Crimp style connectors



This is a 2.0 mm pitch, crimp style, dual-row structure, wire-to-board connector with lock.

- Secure locking device
- Reliable contacts
- Insertion guide mechanism
- Polarizing boss

AL E529482

Specifications:

- Current rating: 3 A AC,DC (AWG #22)
 - Voltage rating: 250 V AC/DC
 - Temperature range: $-25^{\circ}\text{C} \sim +105^{\circ}\text{C}$
(including temperature rise in applying electrical current)
 - Contact resistance: Initial value/ $10\text{m}\Omega$ max
After environmental testing/ $20\text{m}\Omega$ max
 - Insulation resistance: $1000\text{M}\Omega$ min
 - Withstanding voltage: 800 VAC/minute
 - Applicable wire: Conductor size/ AWG#28~#22
Insulation O.D./ 0.76 to 1.50 mm
- * Compliant with RoHS2/ REACH
* Refer to "General Instruction and Notice when using Terminals and Connectors"
* Contact CSG for details

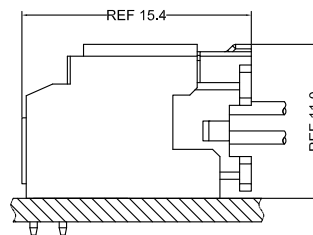
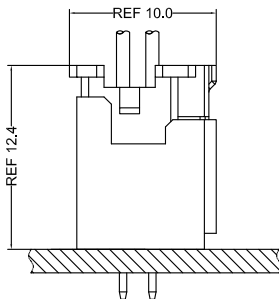
Material:

Housing: PA66/UL94-V0;Color:White

Terminal: Phosphor/ Tin-plated

Wafer Housing: PA66/UL94-V0;Color:White

Wafer Pin: Brass/ Tin-plated

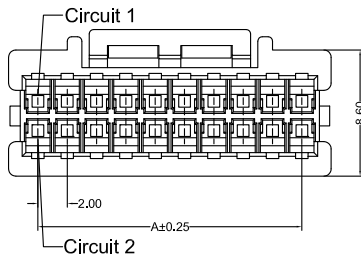
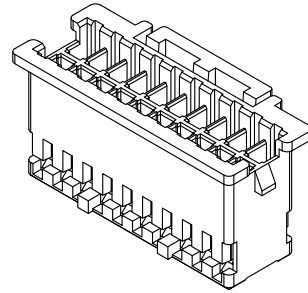
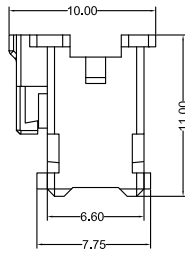
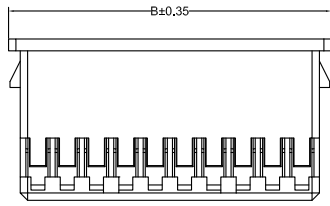


- Note: 1. The above figure is the figure viewed from the connector mounting side.
2. Tolerances are non-cumulative: ± 0.08 mm for all centers.
3. The dimensions above should serve as a guideline. Contact CSG for details.

CSG

Tel: +86-769-85312070 85375507 E-mail: James@csg-china.com www.csg-china.com www.jst-connector.cn

A2022 PAD

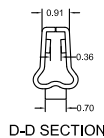
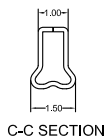
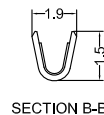
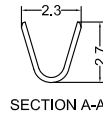
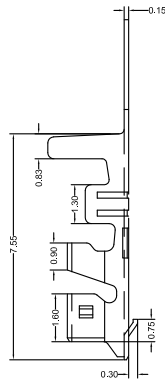
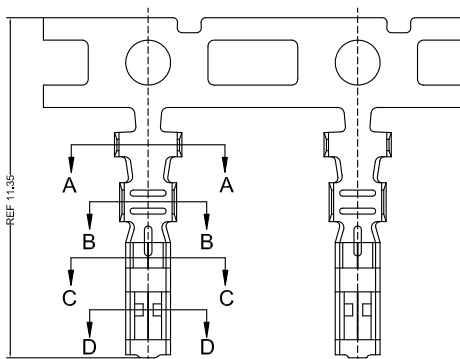


A2022HF 2XX AK P6 X 001

PIN
205=2X5PINS
SPECIAL
AK=BUCKLE
Material
P6=PA66 94V-0

Code
001
Color
9=White

CSG PART NO.	Dimension mm		Q'ty/BAG
	A	B	
A2022HF202AKP69001	2.00	6.00	1000PCS
A2022HF203AKP69001	4.00	8.00	1000PCS
A2022HF204AKP69001	6.00	10.00	1000PCS
A2022HF205AKP69001	8.00	12.00	1000PCS
A2022HF206AKP69001	10.00	14.00	1000PCS
A2022HF207AKP69001	12.00	16.00	1000PCS
A2022HF208AKP69001	14.00	18.00	1000PCS
A2022HF209AKP69001	16.00	20.00	1000PCS
A2022HF210AKP69001	18.00	22.00	1000PCS
A2022HF211AKP69001	20.00	24.00	1000PCS
A2022HF212AKP69001	22.00	26.00	1000PCS
A2022HF220AKP69001	38.00	42.00	1000PCS



A2019 M 0 A TP 002

Type
M=Female Terminal

Material
A=Phosphor

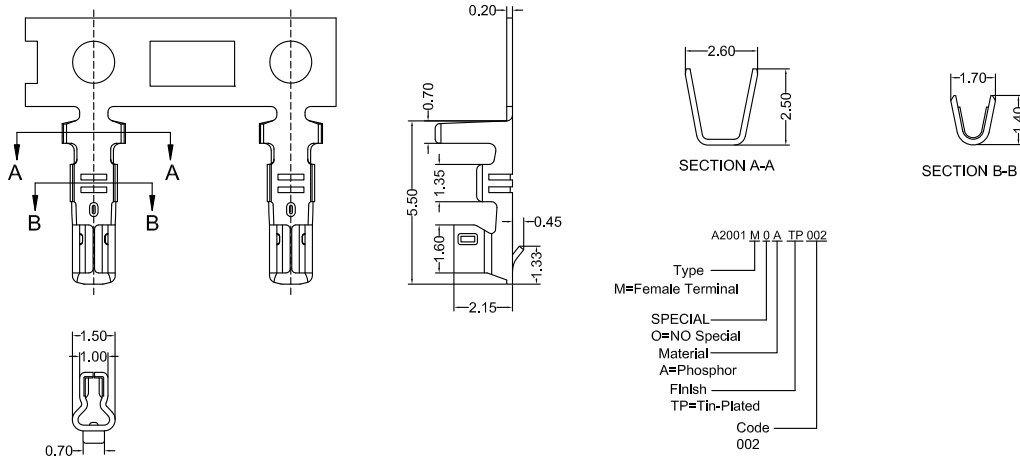
Finish
TP=Tin-Plated

Code
002

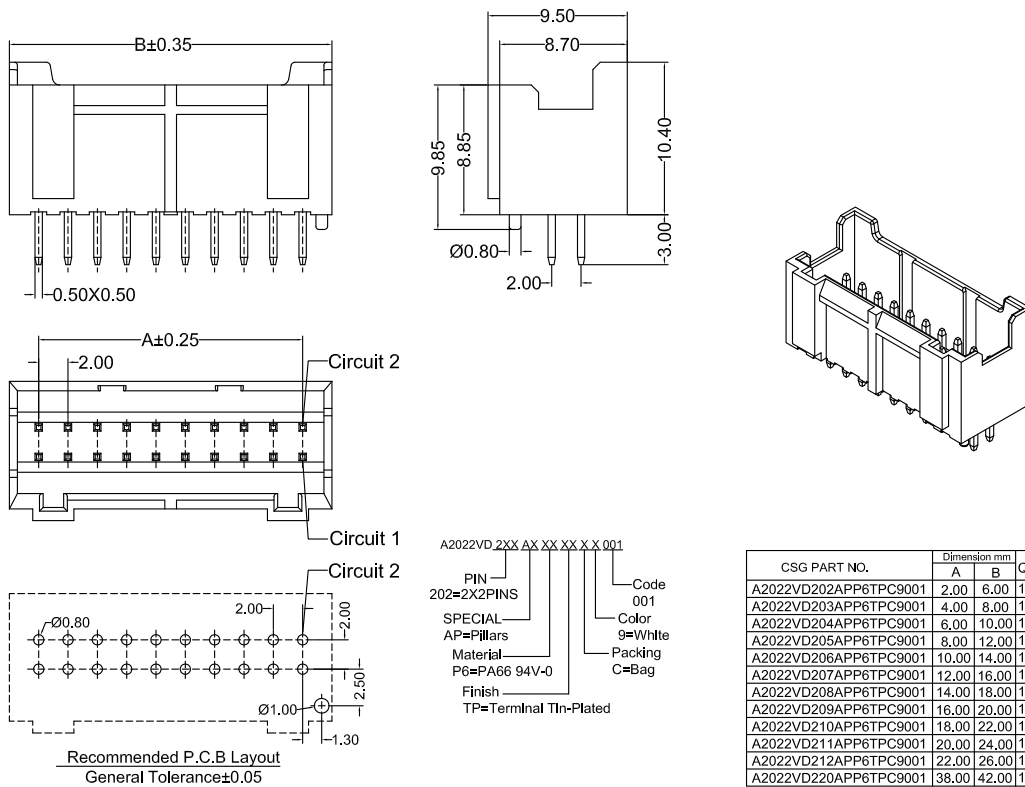
CSG PART NO.	Wire Range	Insulation O.D.	Q'ty/Reel
A2019M0ATP002	AWG#22-#28	1.50mm(max)	8000PCS



A2022 PAD



CSG PART NO.	Wire Range	Insulation O.D.	Q'ty/Reel
A2001MOATP002	AWG#22-#30	1.50mm(max)	10000PCS



CSG PART NO.	Dimension mm		Q'ty/BAG
	A	B	
A2022VD202APP6TPC9001	2.00	6.00	1000PCS
A2022VD203APP6TPC9001	4.00	8.00	1000PCS
A2022VD204APP6TPC9001	6.00	10.00	1000PCS
A2022VD205APP6TPC9001	8.00	12.00	1000PCS
A2022VD206APP6TPC9001	10.00	14.00	1000PCS
A2022VD207APP6TPC9001	12.00	16.00	1000PCS
A2022VD208APP6TPC9001	14.00	18.00	1000PCS
A2022VD209APP6TPC9001	16.00	20.00	1000PCS
A2022VD210APP6TPC9001	18.00	22.00	1000PCS
A2022VD211APP6TPC9001	20.00	24.00	1000PCS
A2022VD212APP6TPC9001	22.00	26.00	1000PCS
A2022VD220APP6TPC9001	38.00	42.00	1000PCS



A2022 PAD

