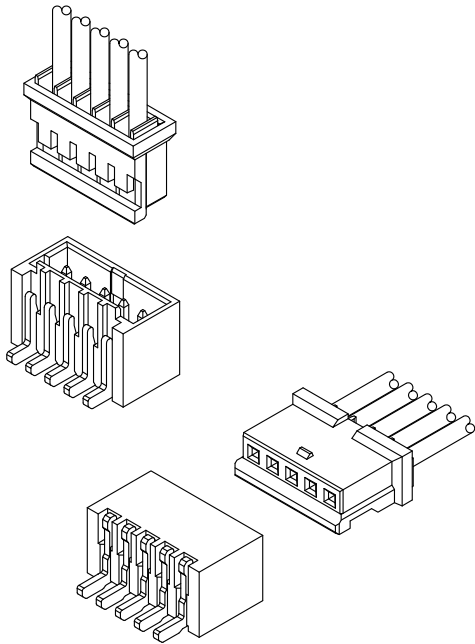


A1501 87439 CONNECTOR

1.50mm Pitch/Disconnectable Crimp style connectors



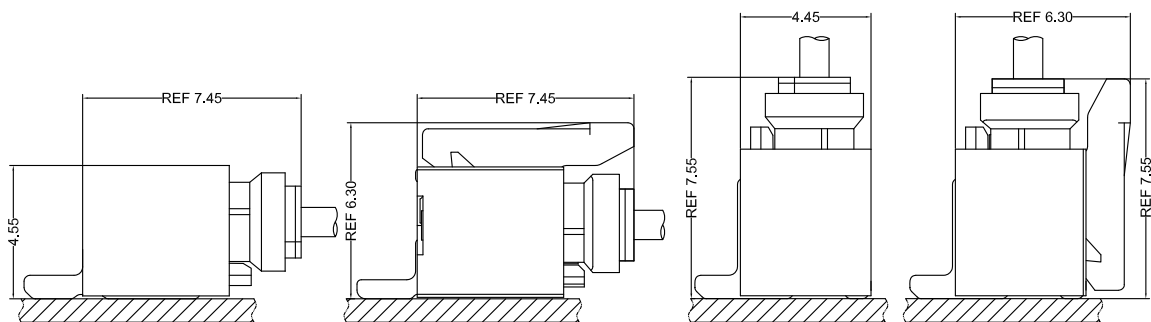
- Secure locking structure
- Low insertion force
- Suction area for picking up
- Improvement of engagement with prying

Specifications:

- Current rating: 3.0 A / AC,DC
- Voltage rating: 350 V AC/DC
- Temperature range: -25°C ~ +105°C
(including temperature rise in applying electrical current)
- Contact resistance: Initial value/ 20mΩ max
Insulation resistance: 1000 MΩ min
Withstanding voltage: 500 VAC/minute
Applicable wire: Conductor size/ AWG#28~#24
Insulation O.D./ 0.60 to 1.10 mm
- * Compliant with RoHS2/ REACH/ HF
- * Refer to "General Instruction and Notice when using Terminals and Connectors"
- * Contact CSG for details

Material:

Housing: PA66/UL94-V0;Color:White
Terminal: Phosphor/ Tin-plated
SMT Wafer Housing: LCP,UL94-V0;Color:Natural
SMT Wafer Pin: Bass/ Tin-plated
Wafer Fixed Foot: Bass/ Tin-plated

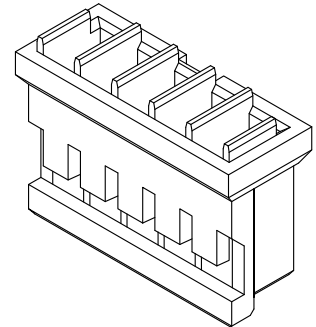
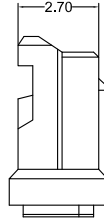
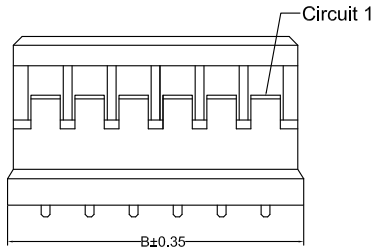
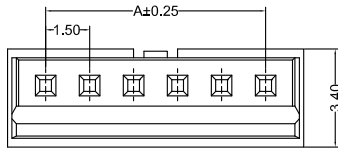


- Note: 1. The above figure is the figure viewed from the connector mounting side.
2. Tolerances are non-cumulative: ± 0.08 mm for all centers.
3. The dimensions above should serve as a guideline. Contact CSG for details.

CSG

Tel:+86-769-85312070 85375507 E-mail:James@csg-china.com www.csg-china.com www.jst-connector.cn

A1501 87439

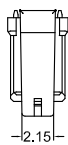
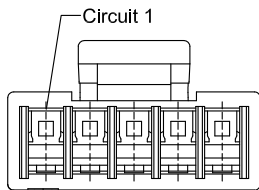


A1501HF 0XX AA P6 9 079

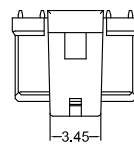
005=5PINS
SPECIAL
AA=NO Special
Material
P6=PA66 94V-0

Code
079
Color
9=White

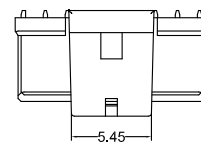
CSG PART NO.	Dimension mm		Q'ty/BAG
	A	B	
A1501HF002AAP69079	1.50	4.10	1000PCS
A1501HF003AAP69079	3.00	5.60	1000PCS
A1501HF004AAP69079	4.50	7.10	1000PCS
A1501HF005AAP69079	6.00	8.60	1000PCS
A1501HF006AAP69079	7.50	10.10	1000PCS
A1501HF007AAP69079	9.00	11.60	1000PCS
A1501HF008AAP69079	10.50	13.10	1000PCS
A1501HF009AAP69079	12.00	14.60	1000PCS
A1501HF010AAP69079	13.50	16.10	1000PCS
A1501HF011AAP69079	15.00	17.60	1000PCS
A1501HF012AAP69079	16.50	19.10	1000PCS
A1501HF013AAP69079	18.00	20.60	1000PCS
A1501HF014AAP69079	19.50	22.10	1000PCS
A1501HF015AAP69079	21.00	23.60	1000PCS



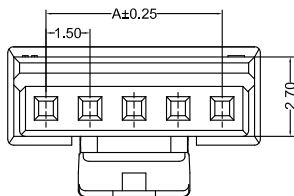
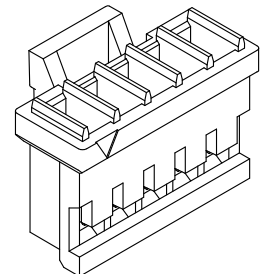
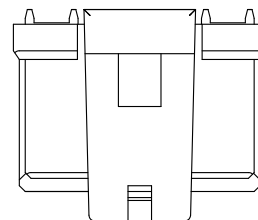
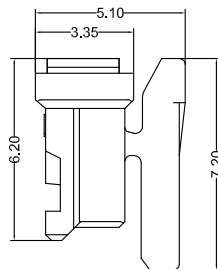
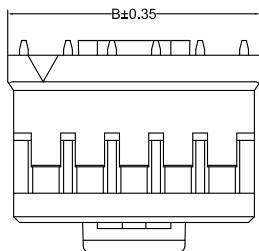
2~3P



4~7P



8~15P



A1501HF 0XX AK P6 9 168

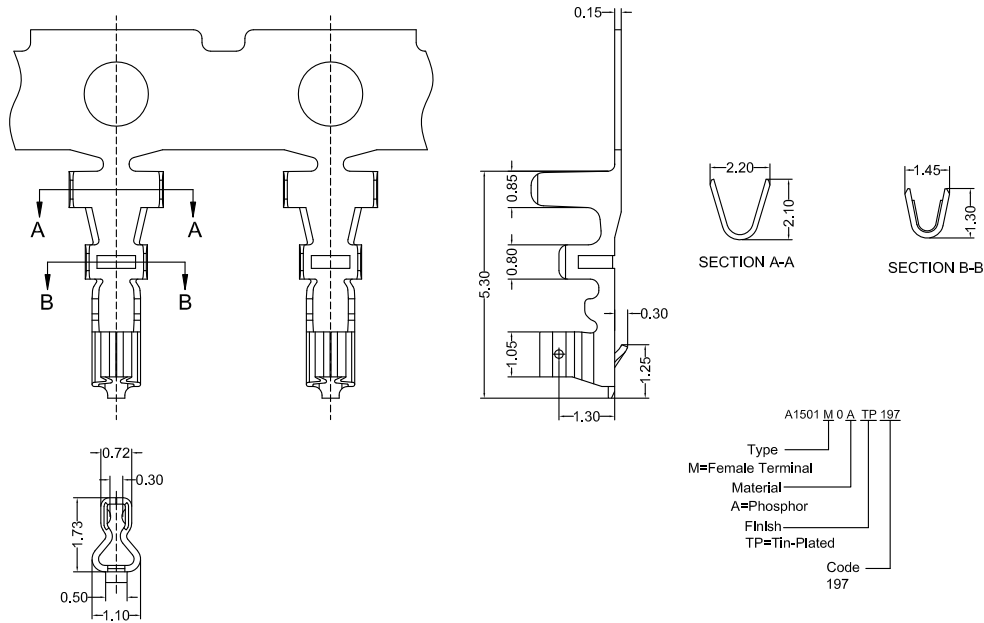
005=5PINS
SPECIAL
AK=BUCKLE
Material
P6=PA66 94V-0

Code
168
Color
9=White

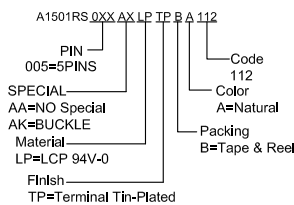
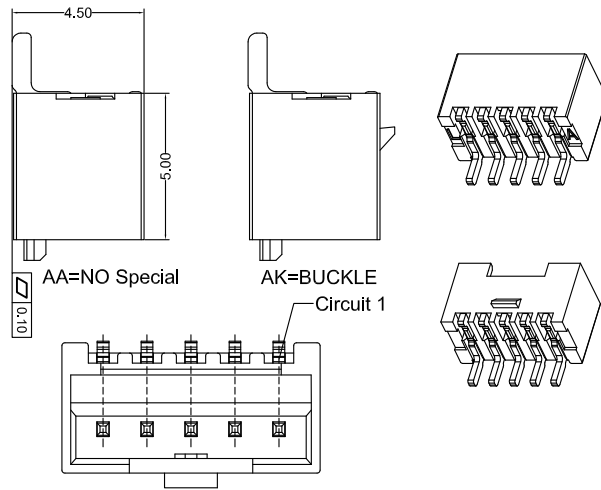
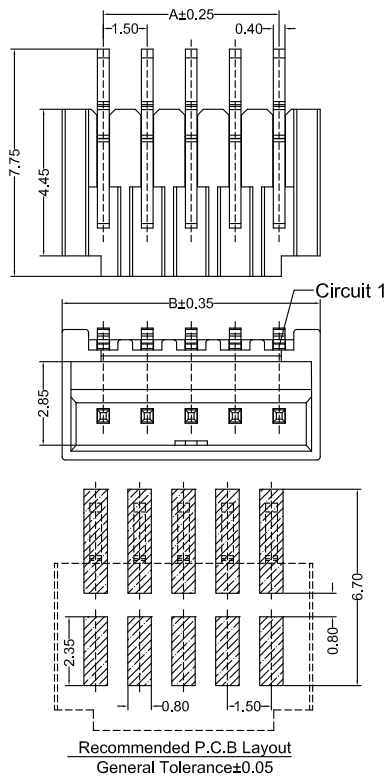
CSG PART NO.	Dimension mm		Q'ty/BAG
	A	B	
A1501HF002AKP69168	1.50	4.10	1000PCS
A1501HF003AKP69168	3.00	5.60	1000PCS
A1501HF004AKP69168	4.50	7.10	1000PCS
A1501HF005AKP69168	6.00	8.60	1000PCS
A1501HF006AKP69168	7.50	10.10	1000PCS
A1501HF007AKP69168	9.00	11.60	1000PCS
A1501HF008AKP69168	10.50	13.10	1000PCS
A1501HF009AKP69168	12.00	14.60	1000PCS
A1501HF010AKP69168	13.50	16.10	1000PCS
A1501HF011AKP69168	15.00	17.60	1000PCS
A1501HF012AKP69168	16.50	19.10	1000PCS
A1501HF013AKP69168	18.00	20.60	1000PCS
A1501HF014AKP69168	19.50	22.10	1000PCS
A1501HF015AKP69168	21.00	23.60	1000PCS



A1501 87439



CSG PART NO.	Wire Range	Insulation O.D.	Q'ty/Reel
A1501M0ATP197	AWG#24-#28	1.10mm(max)	10000PCS



CSG PART NO.	Dimension mm		Q'ty/Reel
	A	B	
A1501RS002AXLPTPBA112	1.50	4.30	1000PCS
A1501RS003AXLPTPBA112	3.00	5.80	1000PCS
A1501RS004AXLPTPBA112	4.50	7.30	1000PCS
A1501RS005AXLPTPBA112	6.00	8.80	1000PCS
A1501RS006AXLPTPBA112	7.50	10.30	1000PCS
A1501RS007AXLPTPBA112	9.00	11.80	1000PCS
A1501RS008AXLPTPBA112	10.50	13.30	1000PCS
A1501RS009AXLPTPBA112	12.00	14.80	1000PCS
A1501RS010AXLPTPBA112	13.50	16.30	1000PCS
A1501RS011AXLPTPBA112	15.00	17.80	1000PCS
A1501RS012AXLPTPBA112	16.50	19.30	1000PCS
A1501RS013AXLPTPBA112	18.00	20.80	1000PCS
A1501RS014AXLPTPBA112	19.50	22.20	1000PCS
A1501RS015AXLPTPBA112	21.00	23.80	1000PCS



A1501 87439

