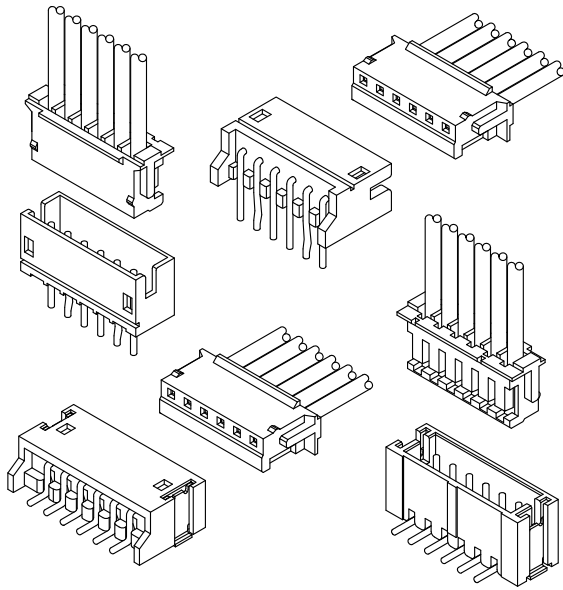


A1500 ZH CONNECTOR

1.50mm Pitch/Disconnectable Crimp style connectors



 E529482

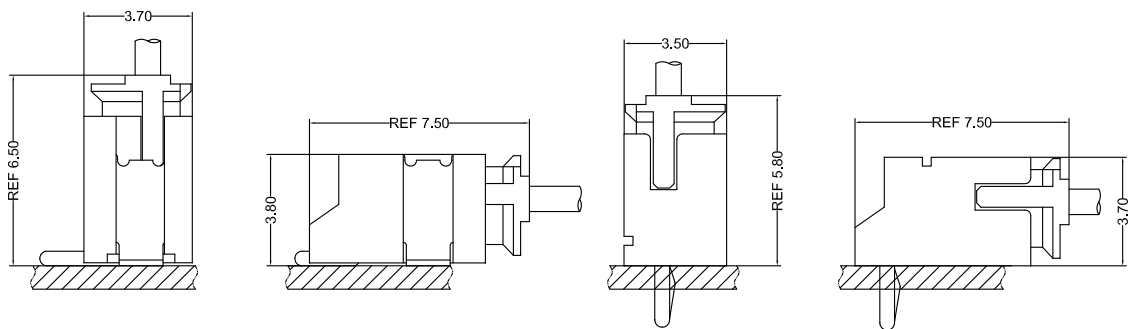
- Secure locking structure
- Low insertion force
- Suction area for picking up
- Improvement of engagement with prying

Specifications:

- Current rating: 1.0 A / AC,DC
- Voltage rating: 100 V AC/DC
- Temperature range: $-40^{\circ}\text{C} \sim +105^{\circ}\text{C}$
(including temperature rise in applying electrical current)
- Contact resistance: Initial value/ 20m Ω max
Insulation resistance: 500 M Ω min
Withstanding voltage: 500 VAC/minute
Applicable wire: Conductor size/ AWG#32~#26
Insulation O.D./ 0.50 to 1.10 mm
- * Compliant with RoHS2/ REACH
- * Refer to "General Instruction and Notice when using Terminals and Connectors"
- * Contact CSG for details

Material:

Housing: PA66/UL94-V0;Color:White
Terminal: Phosphor/ Tin-plated
DIP Wafer Housing: PA46/ PBT,UL94-V0;Color:Natural/ White
DIP Wafer Pin: Bass/ Tin-plated
SMT Wafer Housing: LCP,UL94-V0;Color:Gray
SMT Wafer Pin: Bass/ Tin-plated
Wafer Fixed Foot: Bass/ Tin-plated

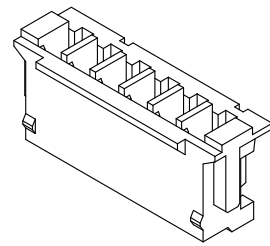
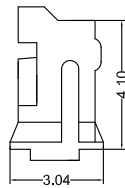
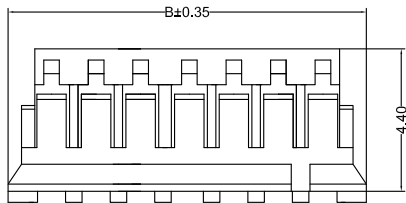
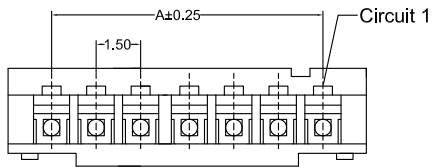


- Note: 1. The above figure is the figure viewed from the connector mounting side.
2. Tolerances are non-cumulative: ± 0.08 mm for all centers.
3. The dimensions above should serve as a guideline. Contact CSG for details.

CSG

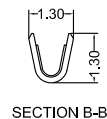
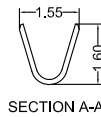
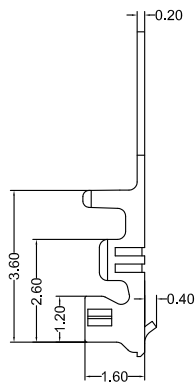
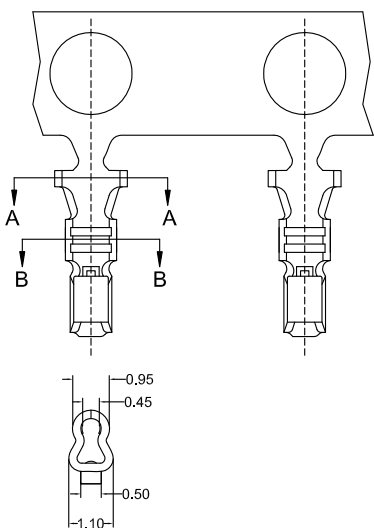
Tel: +86-769-85312070 85375507 E-mail: James@csg-china.com www.csg-china.com www.jst-connector.cn

A1500 ZH



A1500HF 0XX AX P6 9 005
 005=5PINS
 SPECIAL
 AA=Square Hole
 AR=Round Hole
 Material
 P6=PA66 94V-0
 Code
 005
 Color
 9=White

CSG PART NO.	Dimension mm		Q'ty/BAG
	A	B	
A1500HF002AXP69005	1.50	4.50	1000PCS
A1500HF003AXP69005	3.00	6.00	1000PCS
A1500HF004AXP69005	4.50	7.50	1000PCS
A1500HF005AXP69005	6.00	9.00	1000PCS
A1500HF006AXP69005	7.50	10.50	1000PCS
A1500HF007AXP69005	9.00	12.00	1000PCS
A1500HF008AXP69005	10.50	13.50	1000PCS
A1500HF009AXP69005	12.00	15.00	1000PCS
A1500HF010AXP69005	13.50	16.50	1000PCS
A1500HF011AXP69005	15.00	18.00	1000PCS
A1500HF012AXP69005	16.50	19.50	1000PCS
A1500HF013AXP69005	18.00	21.00	1000PCS
A1500HF014AXP69005	19.50	22.50	1000PCS
A1500HF015AXP69005	21.00	24.00	1000PCS
A1500HF016AXP69005	22.50	25.50	1000PCS

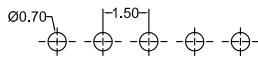
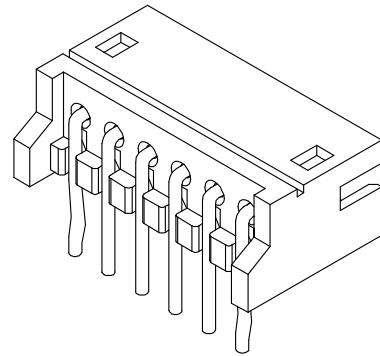
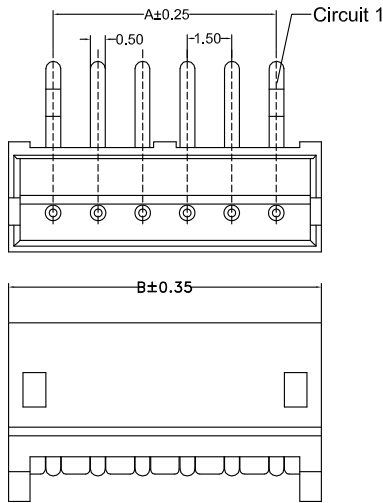


A1500 M 0 A TP 002
 Type
 M=Female Terminal
 Material
 A=Phosphor
 Finish
 TP=Tin-Plated
 Code
 002

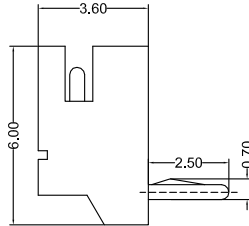
CSG PART NO.	Wire Range	Insulation O.D.	Q'ty/Reel
A1500M0ATP002	AWG#26-#32	1.10mm(max)	20000PCS



A1500 ZH



Recommended P.C.B Layout
General Tolerance±0.05

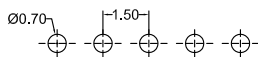
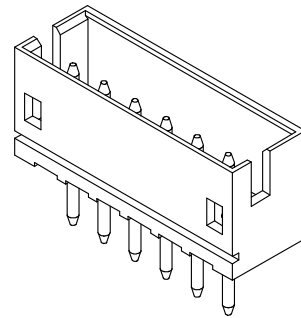
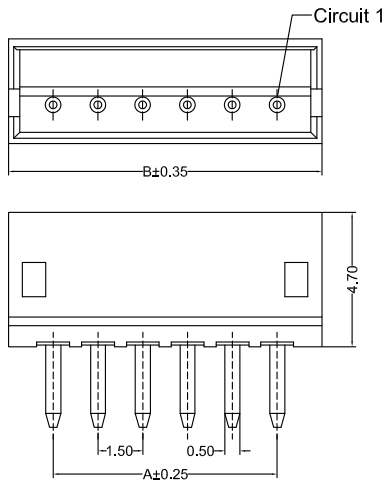


A1500RD.0XX PK P4 TP C A 209

PIN
005=5PINS
SPECIAL
PK=Orientation K
Material
P4=PA46 94V-0
Finish
TP=Terminal Tin-Plated

Code
209
Color
A=Natural
Packing
C=Bag

CSG PART NO.	Dimension mm		Q'ty/BAG
	A	B	
A1500RD002PKP4TPCA209	1.50	4.50	1000PCS
A1500RD003PKP4TPCA209	3.00	6.00	1000PCS
A1500RD004PKP4TPCA209	4.50	7.50	1000PCS
A1500RD005PKP4TPCA209	6.00	9.00	1000PCS
A1500RD006PKP4TPCA209	7.50	10.50	1000PCS
A1500RD007PKP4TPCA209	9.00	12.00	1000PCS
A1500RD008PKP4TPCA209	10.50	13.50	1000PCS
A1500RD009PKP4TPCA209	12.00	15.00	1000PCS
A1500RD010PKP4TPCA209	13.50	16.50	1000PCS
A1500RD011PKP4TPCA209	15.00	18.00	1000PCS
A1500RD012PKP4TPCA209	16.50	19.50	1000PCS
A1500RD013PKP4TPCA209	18.00	21.00	1000PCS
A1500RD014PKP4TPCA209	19.50	22.50	1000PCS
A1500RD015PKP4TPCA209	21.00	24.00	1000PCS
A1500RD016PKP4TPCA209	22.50	25.50	1000PCS



Recommended P.C.B Layout
General Tolerance±0.05

A1500VD.0XX AA PX TP C X 209

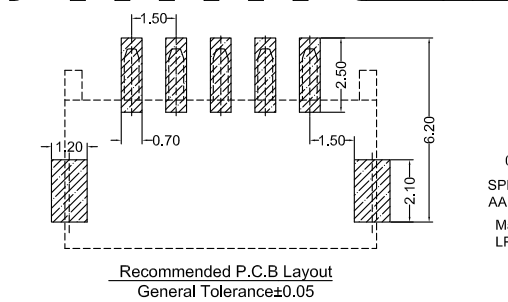
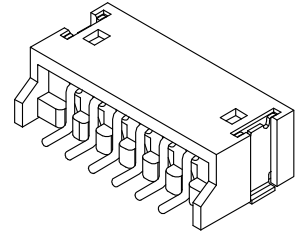
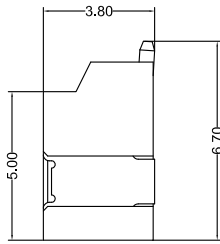
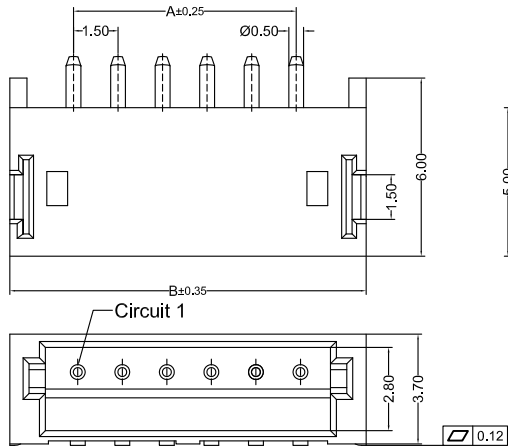
PIN
005=5PINS
SPECIAL
AA=NO Special
Material
P4=PA46 94V-0
PB=PBT 94V-0
Finish
TP=Terminal Tin-Plated

Code
209
Color
A=Natural
9=White
Packing
C=Bag

CSG PART NO.	Dimension mm		Q'ty/BAG
	A	B	
A1500VD002AAPXTPCX209	1.50	4.50	1000PCS
A1500VD003AAPXTPCX209	3.00	6.00	1000PCS
A1500VD004AAPXTPCX209	4.50	7.50	1000PCS
A1500VD005AAPXTPCX209	6.00	9.00	1000PCS
A1500VD006AAPXTPCX209	7.50	10.50	1000PCS
A1500VD007AAPXTPCX209	9.00	12.00	1000PCS
A1500VD008AAPXTPCX209	10.50	13.50	1000PCS
A1500VD009AAPXTPCX209	12.00	15.00	1000PCS
A1500VD010AAPXTPCX209	13.50	16.50	1000PCS
A1500VD011AAPXTPCX209	15.00	18.00	1000PCS
A1500VD012AAPXTPCX209	16.50	19.50	1000PCS
A1500VD013AAPXTPCX209	18.00	21.00	1000PCS
A1500VD014AAPXTPCX209	19.50	22.50	1000PCS
A1500VD015AAPXTPCX209	21.00	24.00	1000PCS
A1500VD016AAPXTPCX209	22.50	25.50	1000PCS



A1500 ZH

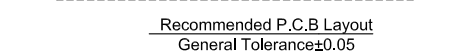
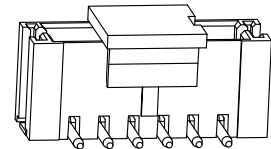
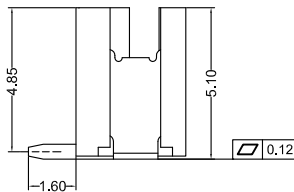
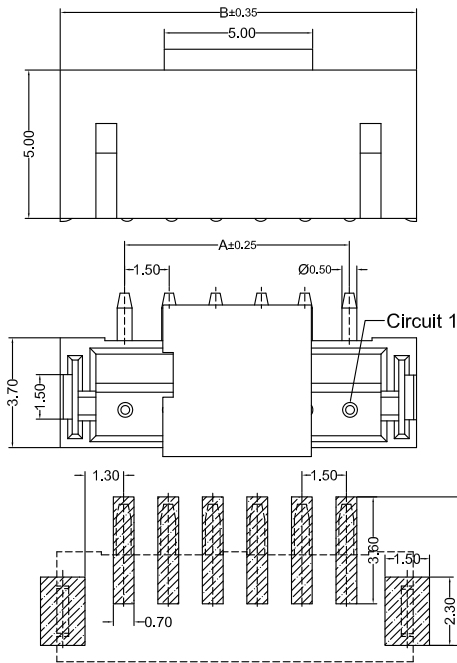


A1500RS.QXX AA LP TP B B 112

PIN
005=5PINS
SPECIAL
AA=NO Special
Material
LP=LCP 94V-0
Finish
TP=Terminal Tin-Plated

Code
112
Color
8=Gray
Packing
B=Tape & Reel

CSG PART NO.	Dimension mm		Q'ty/Reel
	A	B	
A1500RS002AALPTPB8112	1.50	6.00	1000PCS
A1500RS003AALPTPB8112	3.00	7.50	1000PCS
A1500RS004AALPTPB8112	4.50	9.00	1000PCS
A1500RS005AALPTPB8112	6.00	10.50	1000PCS
A1500RS006AALPTPB8112	7.50	12.00	1000PCS
A1500RS007AALPTPB8112	9.00	13.50	1000PCS
A1500RS008AALPTPB8112	10.50	15.00	1000PCS
A1500RS009AALPTPB8112	12.00	16.50	1000PCS
A1500RS010AALPTPB8112	13.50	18.00	1000PCS
A1500RS011AALPTPB8112	15.00	19.50	1000PCS
A1500RS012AALPTPB8112	16.50	21.00	1000PCS
A1500RS013AALPTPB8112	18.00	22.50	1000PCS
A1500RS014AALPTPB8112	19.50	24.00	1000PCS
A1500RS015AALPTPB8112	21.00	25.50	1000PCS
A1500RS016AALPTPB8112	22.50	27.00	1000PCS



A1500VS.QXX AA LP TP B B 112

PIN
005=5PINS
SPECIAL
AA=NO Special
Material
LP=LCP 94V-0
Finish
TP=Terminal Tin-Plated

Code
112
Color
8=Gray
Packing
B=Tape & Reel

CSG PART NO.	Dimension mm		Q'ty/Reel
	A	B	
A1500VS002AALPTPB8112	1.50	6.00	1000PCS
A1500VS003AALPTPB8112	3.00	7.50	1000PCS
A1500VS004AALPTPB8112	4.50	9.00	1000PCS
A1500VS005AALPTPB8112	6.00	10.50	1000PCS
A1500VS006AALPTPB8112	7.50	12.00	1000PCS
A1500VS007AALPTPB8112	9.00	13.50	1000PCS
A1500VS008AALPTPB8112	10.50	15.00	1000PCS
A1500VS009AALPTPB8112	12.00	16.50	1000PCS
A1500VS010AALPTPB8112	13.50	18.00	1000PCS
A1500VS011AALPTPB8112	15.00	19.50	1000PCS
A1500VS012AALPTPB8112	16.50	21.00	1000PCS
A1500VS013AALPTPB8112	18.00	22.50	1000PCS
A1500VS014AALPTPB8112	19.50	24.00	1000PCS
A1500VS015AALPTPB8112	21.00	25.50	1000PCS
A1500VS016AALPTPB8112	22.50	27.00	1000PCS

