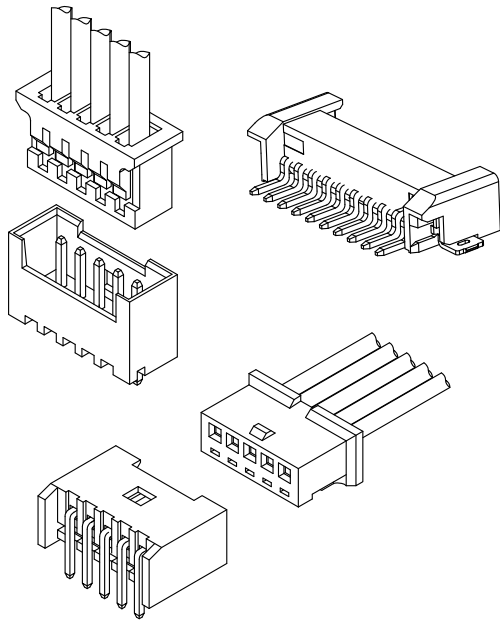


# A1251 IL-Z CONNECTOR

1.25mm Pitch/Disconnectable Crimp style connectors



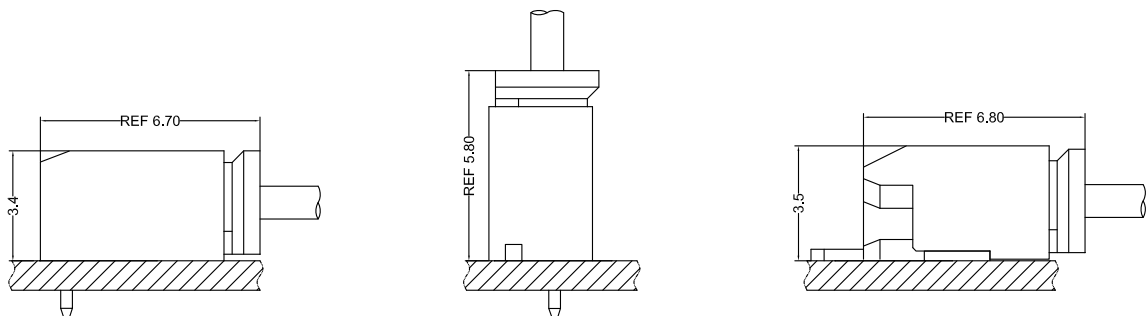
 E529482

## Specifications:

- Current rating: 1.0 A / AC,DC
- Voltage rating: 200 V AC/DC
- Temperature range: -40°C ~ +105°C  
(including temperature rise in applying electrical current)
- Contact resistance: Initial value/ 20m  $\Omega$  max  
Insulation resistance: 100 M  $\Omega$  min  
Withstanding voltage: 500 VAC/minute  
Applicable wire: Conductor size/ AWG#32~#28  
Insulation O.D./ 0.38 to 1.00 mm
- \* Compliant with RoHS2/ REACH
- \* Refer to "General Instruction and Notice when using Terminals and Connectors"
- \* Contact CSG for details

## Material:

Housing: PA66/UL94-V0;Color: Brown  
Terminal: Phosphor/ Tin-plated  
DIP Wafer Housing: PA66/UL94-V0;Color: Brown  
DIP Wafer Pin: Bass/ Tin-plated  
SMT Wafer Housing: LCP/,UL94-V0;Color:Natural  
SMT Wafer Pin: Phosphor/ Tin-plated  
Wafer Fixed Foot: Bass/ Tin-plated

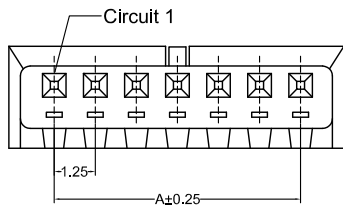
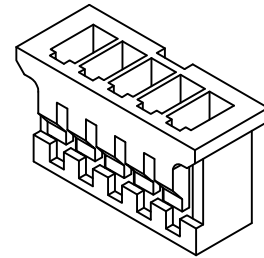
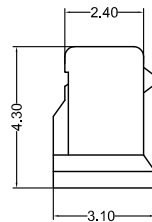
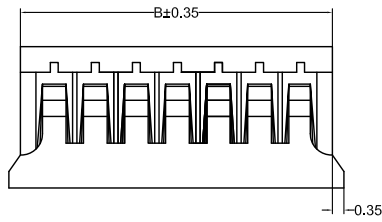


- Note: 1. The above figure is the figure viewed from the connector mounting side.  
2. Tolerances are non-cumulative:  $\pm 0.08$  mm for all centers.  
3. The dimensions above should serve as a guideline. Contact CSG for details.

**CSG**

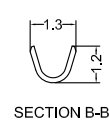
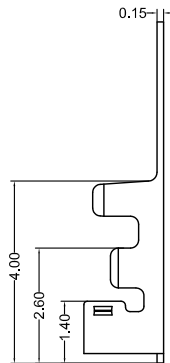
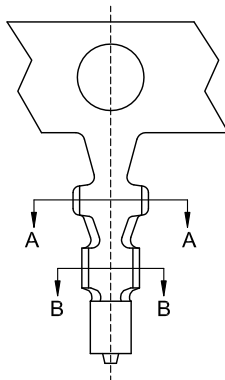
Tel:+86-769-85312070 85375507 E-mail:James@csg-china.com www.csg-china.com www.jst-connector.cn

# A1251 IL-Z



A1251HF 0XX AA P6 1 XXX  
 PIN  
 005=5PINS  
 SPECIAL  
 AA=NO Spedal  
 Material  
 P6=PA66 94V-0  
 Code  
 188  
 079  
 Color  
 1=Brown

CSG PART NO.	Dimension mm		Qty/BAG
	A	B	
A1251HF002AAP61188	1.25	3.25	1000PCS
A1251HF003AAP61188	2.50	4.50	1000PCS
A1251HF004AAP61188	3.75	5.75	1000PCS
A1251HF005AAP61188	5.00	7.00	1000PCS
A1251HF006AAP61188	6.25	8.25	1000PCS
A1251HF007AAP61188	7.50	9.50	1000PCS
A1251HF008AAP61188	8.75	10.75	1000PCS
A1251HF009AAP61188	10.00	12.00	1000PCS
A1251HF010AAP61188	11.25	13.25	1000PCS
A1251HF011AAP61188	12.50	14.50	1000PCS
A1251HF012AAP61188	13.75	15.75	1000PCS
A1251HF013AAP61188	15.00	17.00	1000PCS
A1251HF014AAP61188	16.25	18.25	1000PCS
A1251HF015AAP61079	17.50	19.50	1000PCS

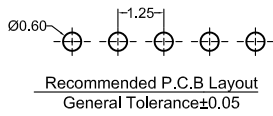
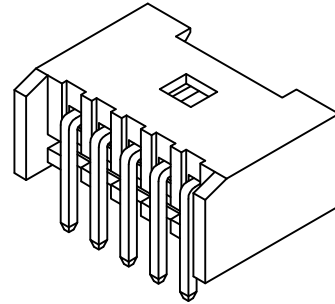
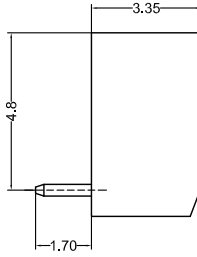
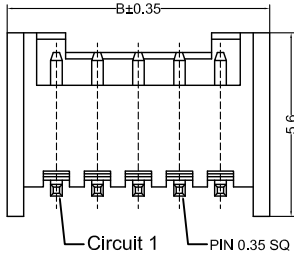
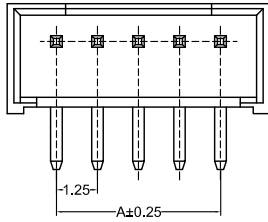


A1251 M 0 A TP 188  
 Type  
 M=Female Terminal  
 Material  
 A=Phosphor  
 Finish  
 TP=Tin-Plated  
 Code  
 188

CSG PART NO.	Wire Range	Insulation O.D.	Q'ty/Reel
A1251M0ATP188	AWG#28-#32	1.00mm(max)	10000PCS



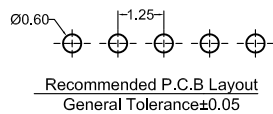
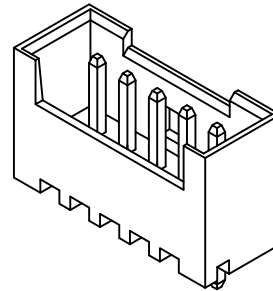
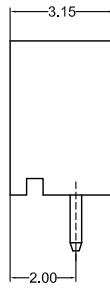
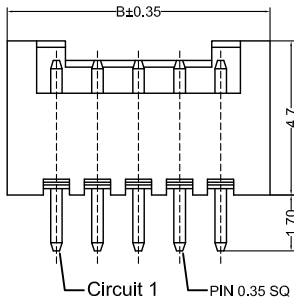
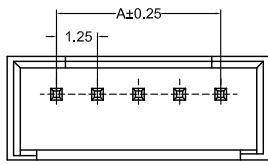
# A1251 IL-Z



A1251RD\_0XX AA P6 TP X 1 188

- PIN 005=5PINS
- SPECIAL AA=NO Special
- Material P6=PA66 94V-0
- Finish TP=Terminal Tin-Plated
- Code 188
- Color 1=Brown
- Packing C=Bag D=Box

CSG PART NO.	Dimension mm		Q'ty
	A	B	
A1251RD002AAP6TPX1188	1.25	4.25	1000PCS
A1251RD003AAP6TPX1188	2.50	5.50	1000PCS
A1251RD004AAP6TPX1188	3.75	6.75	1000PCS
A1251RD005AAP6TPX1188	5.00	8.00	1000PCS
A1251RD006AAP6TPX1188	6.25	9.25	1000PCS
A1251RD007AAP6TPX1188	7.50	10.50	1000PCS
A1251RD008AAP6TPX1188	8.75	11.75	1000PCS
A1251RD009AAP6TPX1188	10.00	13.00	1000PCS
A1251RD010AAP6TPX1188	11.25	14.25	1000PCS
A1251RD011AAP6TPX1188	12.50	15.50	1000PCS
A1251RD012AAP6TPX1188	13.75	16.75	1000PCS
A1251RD013AAP6TPX1188	15.00	18.00	1000PCS
A1251RD014AAP6TPX1188	16.25	19.25	1000PCS
A1251RD015AAP6TPX1188	17.50	20.50	1000PCS



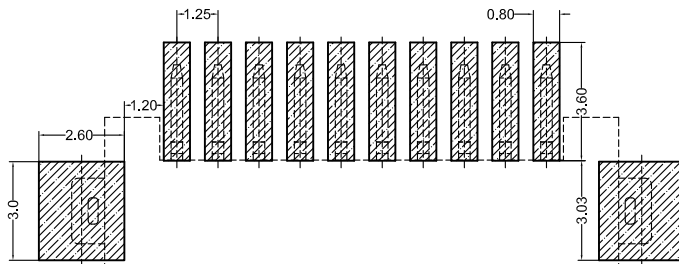
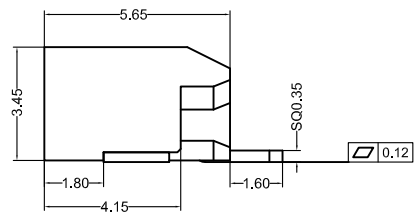
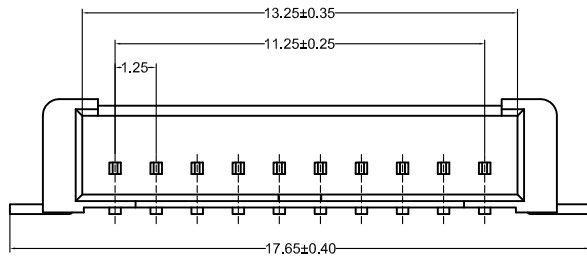
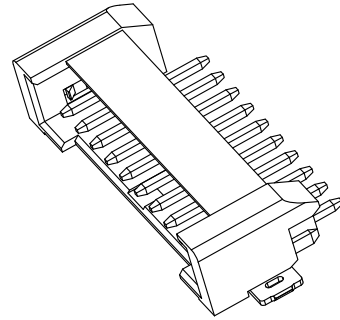
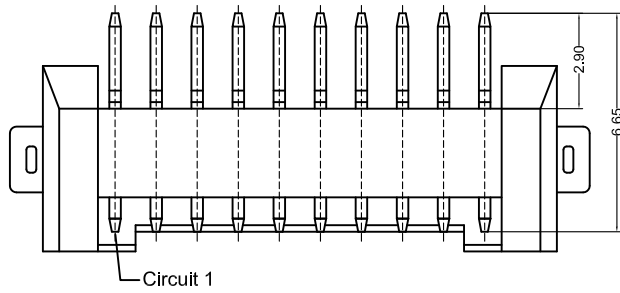
A1251VD\_0XX AA P6 TP X 1 188

- PIN 005=5PINS
- SPECIAL AA=NO Special
- Material P6=PA66 94V-0
- Finish TP=Terminal Tin-Plated
- Code 188
- Color 1=Brown
- Packing C=Bag D=Box

CSG PART NO.	Dimension mm		Q'ty
	A	B	
A1251VD002AAP6TPX1188	1.25	4.25	1000PCS
A1251VD003AAP6TPX1188	2.50	5.50	1000PCS
A1251VD004AAP6TPX1188	3.75	6.75	1000PCS
A1251VD005AAP6TPX1188	5.00	8.00	1000PCS
A1251VD006AAP6TPX1188	6.25	9.25	1000PCS
A1251VD007AAP6TPX1188	7.50	10.50	1000PCS
A1251VD008AAP6TPX1188	8.75	11.75	1000PCS
A1251VD009AAP6TPX1188	10.00	13.00	1000PCS
A1251VD010AAP6TPX1188	11.25	14.25	1000PCS
A1251VD011AAP6TPX1188	12.50	15.50	1000PCS
A1251VD012AAP6TPX1188	13.75	16.75	1000PCS
A1251VD013AAP6TPX1188	15.00	18.00	1000PCS
A1251VD014AAP6TPX1188	16.25	19.25	1000PCS
A1251VD015AAP6TPX1188	17.50	20.50	1000PCS



# A1251 IL-Z



Recommended P.C.B Layout  
General Tolerance±0.05

A1251RS 010 AA LP TP B 8 001

- PIN
- 005=5PINS
- SPECIAL
- AA=NO Special
- Material
- LP=LCP 94V-0
- Finish
- TP=Terminal Tin-Plated
- Code
- 001
- Color
- 8=Gray
- Packing
- B=Tape & Reel