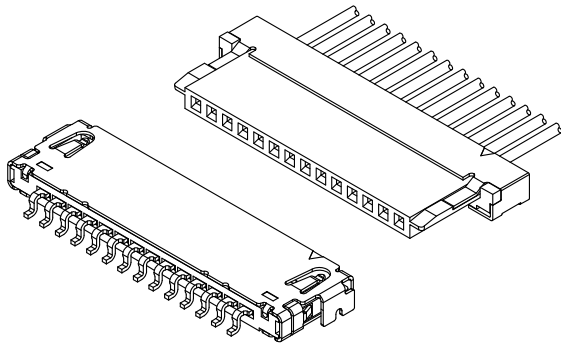


# A1003 DF19 CONNECTOR

1.00mm Pitch/Disconnectable Crimp style connectors



- The worlds first LVDS crimp style connector. It is used to connect the display screen to the main board. Height of 1.65 mm
- Compact, low profile design.



## Specifications:

- Current rating: 1.0 A AC,DC (AWG #28)
- Voltage rating: 100 V AC/DC
- Temperature range: -40°C ~ +105°C (including temperature rise in applying electrical current)
- Contact resistance: Initial value/ 30m  $\Omega$  max  
After environmental testing/ 30m  $\Omega$  max
- Insulation resistance: 500 M  $\Omega$  min
- Withstanding voltage: 500 VAC/minute
- Applicable wire: Conductor size/ AWG#32 to #28  
Insulation O.D./ 0.4 to 0.6 mm

\* Compliant with RoHS2/ REACH

\* In using the products, refer to "Handling Precautions for Terminals and Connectors "described on our website (Technical documents of Product information page).

\* Contact CSG for details

## Material:

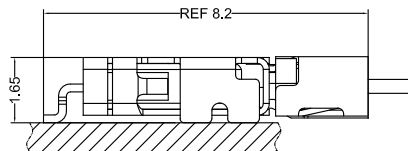
Housing: PA66,UL94-V0;Color:Beige

Terminal: Phosphor/ Gold-Plated

Wafer Housing: PA6T,UL94-V0;Color:Beige

Wafer Pin: Phosphor/ Gold-Plated 3U"

Shell: Brass/ Tin-plated

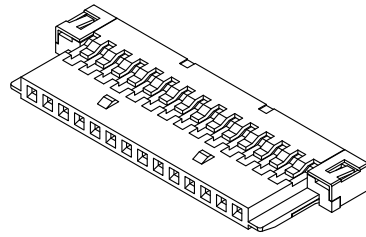
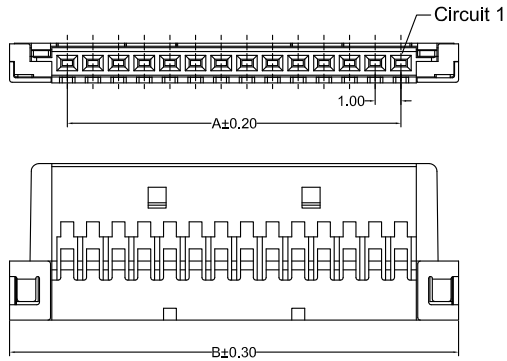


- Note: 1. The above figure is the figure viewed from the connector mounting side.  
2. Tolerances are non-cumulative:  $\pm 0.08$  mm for all centers.  
3. The dimensions above should serve as a guideline. Contact CSG for details.

**CSG**

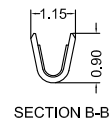
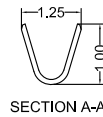
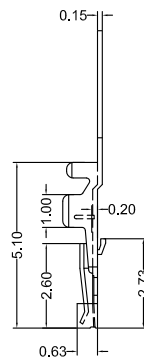
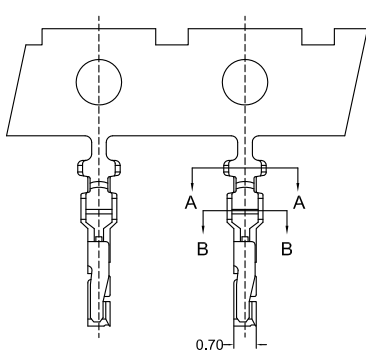
Tel:+86-769-85312070 85375507 E-mail:James@csg-china.com www.csg-china.com www.jst-connector.cn

# A1003 DF19



A1003HF 0XX AA P6 C 001  
 PIN  
 002=2PINS  
 SPECIAL  
 AA=NO Special  
 Material  
 P6=PA66 94V-0  
 Code  
 001  
 Color  
 C=Beige

CSG PART NO.	Dimension mm		Q'ty/BAG
	A	B	
A1003HF008AAP6C001	7.00	11.50	1000PCS
A1003HF014AAP6C001	13.00	17.50	1000PCS
A1003HF020AAP6C001	19.00	23.50	1000PCS
A1003HF030AAP6C001	29.00	33.50	1000PCS

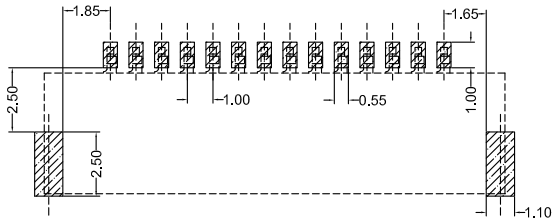
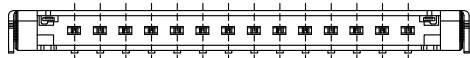
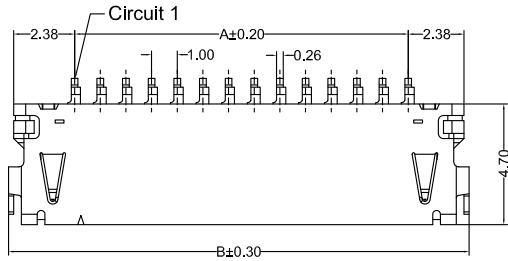


A1003 M 0 A GF 001  
 Type  
 M=Female Terminal  
 Material  
 A=Phosphor  
 Finish  
 GF=Gold-Plated  
 Code  
 001

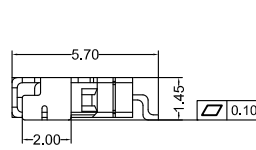
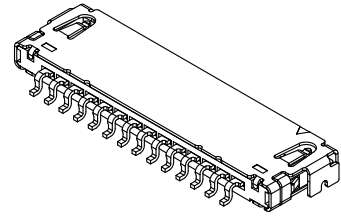
CSG PART NO.	Wire Range	Insulation O.D.	Q'ty/Reel
A1003M0AGF001	AWG#28-#32	0.80mm(max)	3000PCS



# A1003 DF19



Recommended P.C.B Layout  
General Tolerance±0.05



A1003RS 0XX AA 6T G1 B C 001

PIN  
002=2PINS

SPECIAL  
AA=NO Special

Material  
6T=PA6T 94V-0

Finish  
G1=Gold-Plated 3U"

Code  
001

Color  
C=Belge

Packing  
B=Tape & Reel

CSG PART NO.	Dimension mm		Qty/Reel
	A	B	
A1003RS008AA6TG1BC001	7.00	11.95	2000PCS
A1003RS014AA6TG1BC001	13.00	17.95	2000PCS
A1003RS020AA6TG1BC001	19.00	23.95	2000PCS
A1003RS030AA6TG1BC001	29.00	33.95	2000PCS

