

A

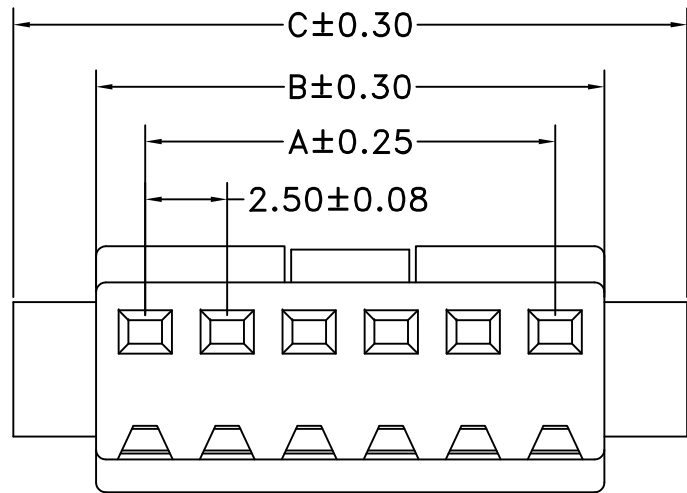
B

C

D

E

REVISIONS				
SYM	ECN No.	DESCRIPTION	DATE	APPROVED
A		MASS-PRODUCTION	12/06/2014	James



NOTE:
 Current rating:3A AC,DC
 Voltage rating:250V AC,DC
 Temperature range:-25℃~+85℃
 Insulation resistance:1,000MΩ/Min
 Withstanding voltage:1000V AC/minute
 Contact resistance:10mΩ/Max
 Suitable With:C2500M Series Terminal
 Mates With C2500HM Series Housing

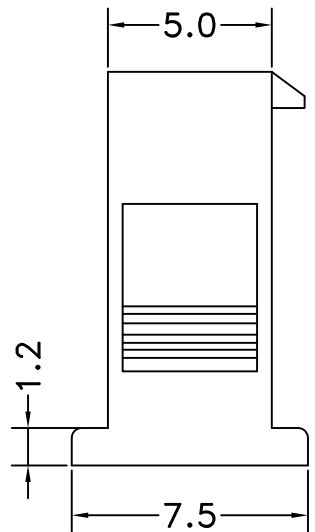
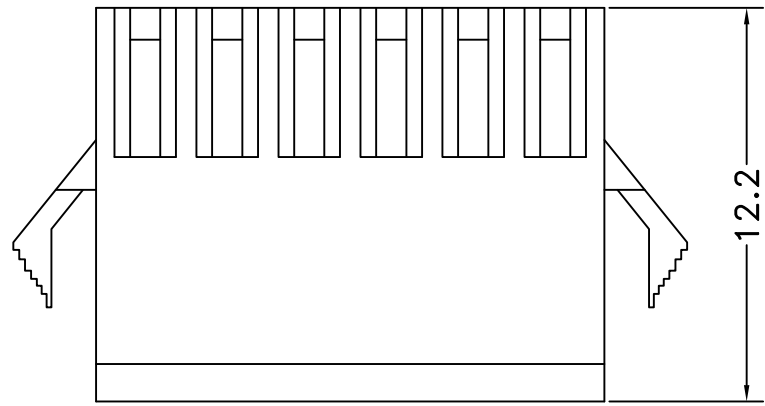
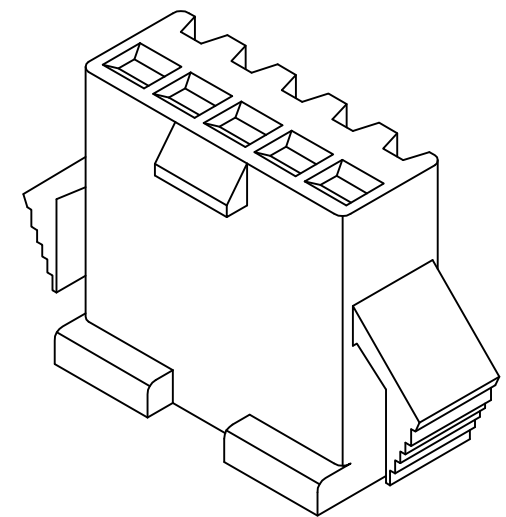


TABLE:

CSG PART NO.	Dimension mm			Q'ty/BAG
	A	B	C	
C2500HF002ADXXX007	2.50	5.50	11.50	2000PCS
C2500HF003ADXXX007	5.00	8.00	14.00	2000PCS
C2500HF004ADXXX007	7.50	10.50	16.50	2000PCS
C2500HF005ADXXX007	9.00	13.00	19.00	1000PCS
C2500HF006ADXXX007	12.50	15.50	21.50	1000PCS
C2500HF007ADXXX007	15.00	18.00	24.00	1000PCS
C2500HF008ADXXX007	17.50	20.50	26.50	1000PCS
C2500HF009ADXXX007	20.00	23.00	29.00	1000PCS
C2500HF010ADXXX007	22.50	25.50	31.50	1000PCS
C2500HF011ADXXX007	25.00	28.00	34.00	1000PCS
C2500HF012ADXXX007	27.50	30.50	36.50	1000PCS

C2500HF 0XX AD XX X 007

PIN
 002=2PINS
 012=12PINS

SPECIAL
 AD=With Wings

Material
 P6=PA66 94V-0

Code
 007

Color
 0=Black
 9=White

TOLERANCE UNIT(mm)	APPROVALS	DATE
X. ±0.30	DRAWN Nio	12/06/2014
X.X ±0.25	CHECKED James	12/06/2014
X.XX ±0.15	APPROVED James	12/06/2014
X.XXX ±0.10		
ANGULAR ±2°		
UNLESS OTHERWISE SPECIFIED		

CSG Industrial Co.,Ltd
<http://www.csg-china.com>

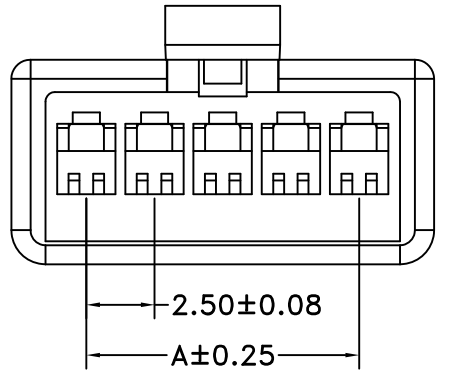
TITLE: SM 2.5 Male Housing

SCALE N.A.	PART NO. C2500HF0XXADXXX007	DRAWING NO. C2500HF0XXADXXX007 A	REV. A
SHEET 1 OF 1	CUSTOMER CODE	CUSTOMER PART NO.	

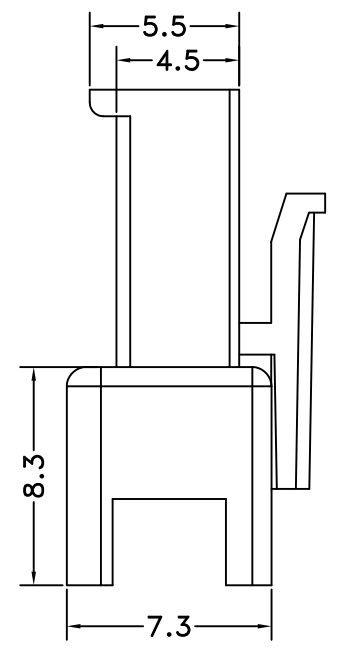
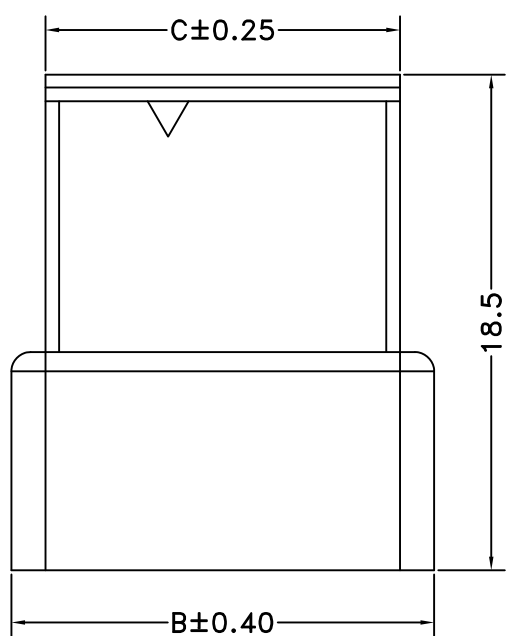
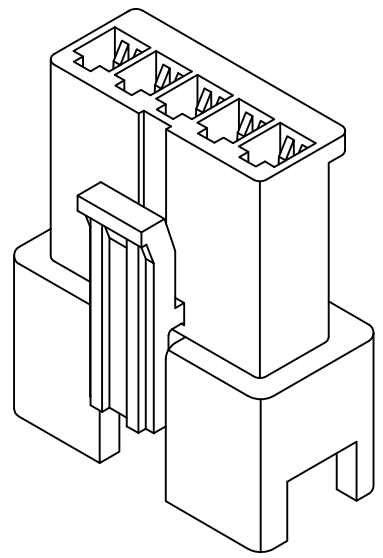
UNIT: MM

A B C D E

REVISIONS				
SYM	ECN No.	DESCRIPTION	DATE	APPROVED
A		MASS-PRODUCTION	12/06/2014	James



NOTE:
 Current rating:3A AC,DC
 Voltage rating:250V AC,DC
 Temperature range:-25℃~+85℃
 Insulation resistance:1,000MΩ/Min
 Withstanding voltage:1000V AC/minute
 Contact resistance:10mΩ/Max
 Suitable With:C2500F Series Terminal
 Mates With C2500HF Series Housing



C2500HM OXX AK XX X 007
 PIN
 002=2PINS
 012=12PINS

 SPECIAL
 AK=BUCKLE
 Material
 P6=PA66 94V-0
 Code
 007
 Color
 0=Black
 9=White

TABLE:

CSG PART NO.	Dimension mm			Q'ty/BAG
	A	B	C	
C2500HM002AKXXX007	2.50	8.00	5.50	2000PCS
C2500HM003AKXXX007	5.00	10.50	8.00	2000PCS
C2500HM004AKXXX007	7.50	13.00	10.50	2000PCS
C2500HM005AKXXX007	9.00	15.50	13.00	1000PCS
C2500HM006AKXXX007	12.50	18.00	15.50	1000PCS
C2500HM007AKXXX007	15.00	20.50	18.00	1000PCS
C2500HM008AKXXX007	17.50	23.00	20.50	1000PCS
C2500HM009AKXXX007	20.00	25.50	23.00	1000PCS
C2500HM010AKXXX007	22.50	28.00	25.50	1000PCS
C2500HM011AKXXX007	25.00	30.50	28.00	1000PCS
C2500HM012AKXXX007	27.50	33.00	30.50	1000PCS



TOLERANCE UNIT(mm)	APPROVALS	DATE
X. ±0.30	DRAWN Nio	12/06/2014
X.X ±0.25	CHECKED James	12/06/2014
X.XX ±0.15	APPROVED James	12/06/2014
X.XXX ±0.10		
ANGULAR ±2'		
UNLESS OTHERWISE SPECIFIED	UNIT	MM

CSG Industrial Co.,Ltd
<http://www.csg-china.com>

TITLE: SM 2.5 Female Housing

SCALE N.A.	PART NO. C2500HMOXXAKXXX007	DRAWING NO. C2500HMOXXAKXXX007 A	REV. A
SHEET 1 OF 1	CUSTOMER CODE	CUSTOMER PART NO.	

1
2
3
4
5

A

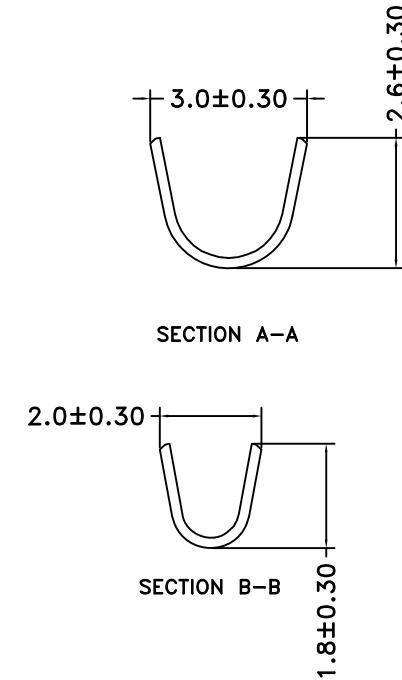
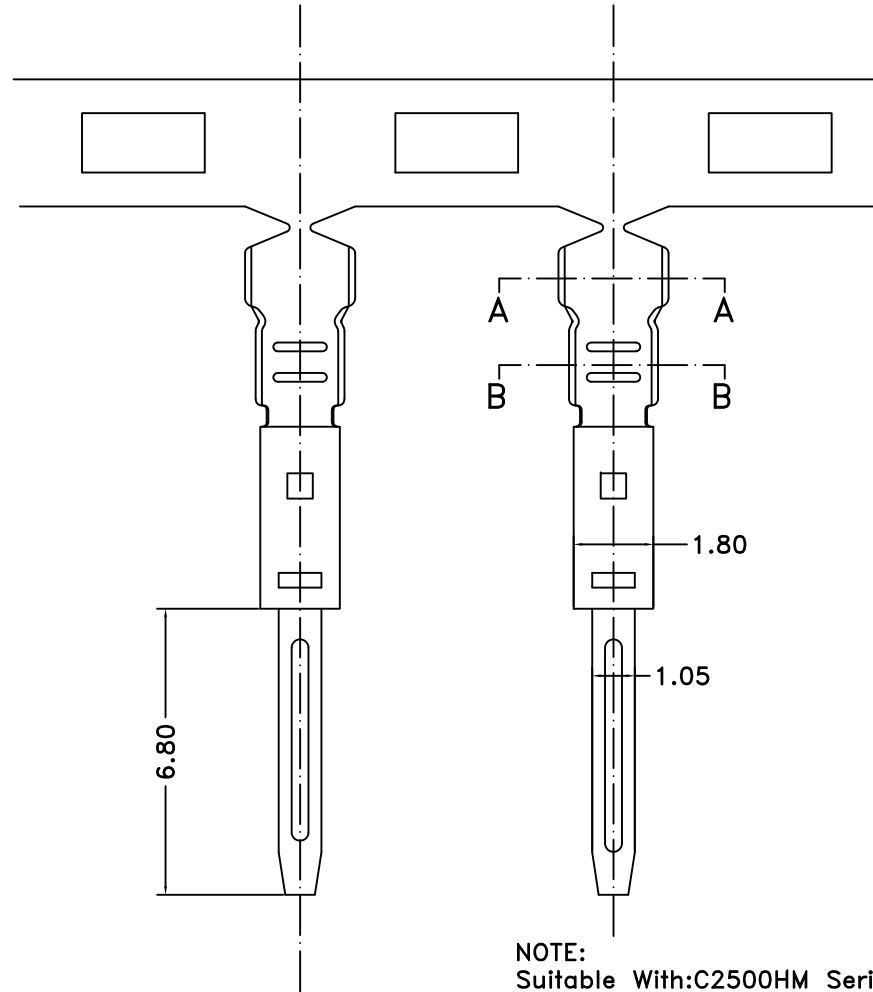
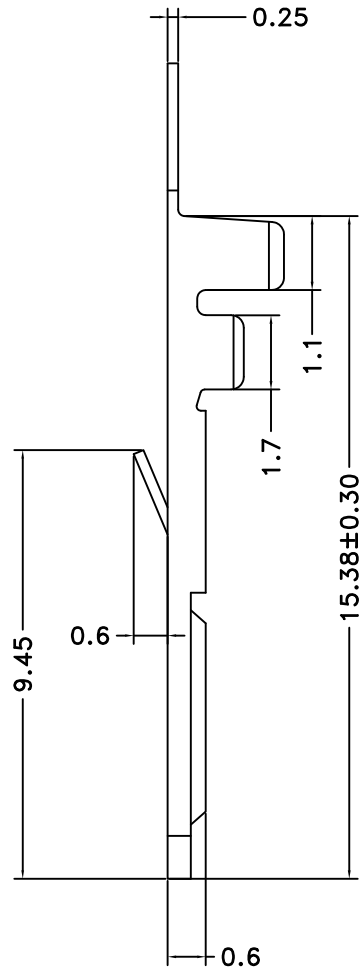
B

C

D

E

REVISIONS				
SYM	ECN No.	DESCRIPTION	DATE	APPROVED
A		MASS-PRODUCTION	12/06/2014	James



C2500F 0 B XX 007

Type
F=Male Terminal

SPECIAL
0=NO Special

Material
B=Brass

Finish
TP=Tin-Plated

Code
007

NOTE:
Suitable With:C2500HM Series Housing

TABLE:

CSG PART NO.	Wire Range	Insulation O.D.	Q'ty/Reel
C2500F0BTP007	AWG#22~#28	1.80mm(max)	7000PCS

TOLERANCE UNIT(mm)	APPROVALS	DATE
X. ±0.30	DRAWN Nio	12/06/2014
X.X ±0.25	CHECKED James	12/06/2014
X.XX ±0.15	APPROVED James	12/06/2014
X.XXX ±0.10		
ANGULAR ±2°		
UNLESS OTHERWISE SPECIFIED		

CSG Industrial Co.,Ltd http://www.csg-china.com			
TITLE SM 2.5 Male Terminal			
SCALE N.A.	PART NO.	DRAWING NO.	REV.
SHEET 1 OF 1	C2500F0BTP007	C2500F0BTP007 A	A
CUSTOMER CODE	CUSTOMER PART NO.		



1

2

3

4

5

A

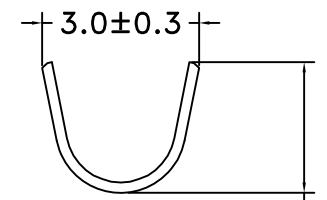
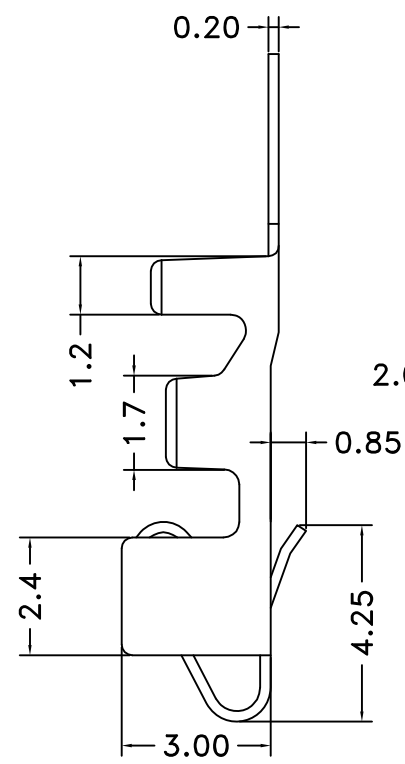
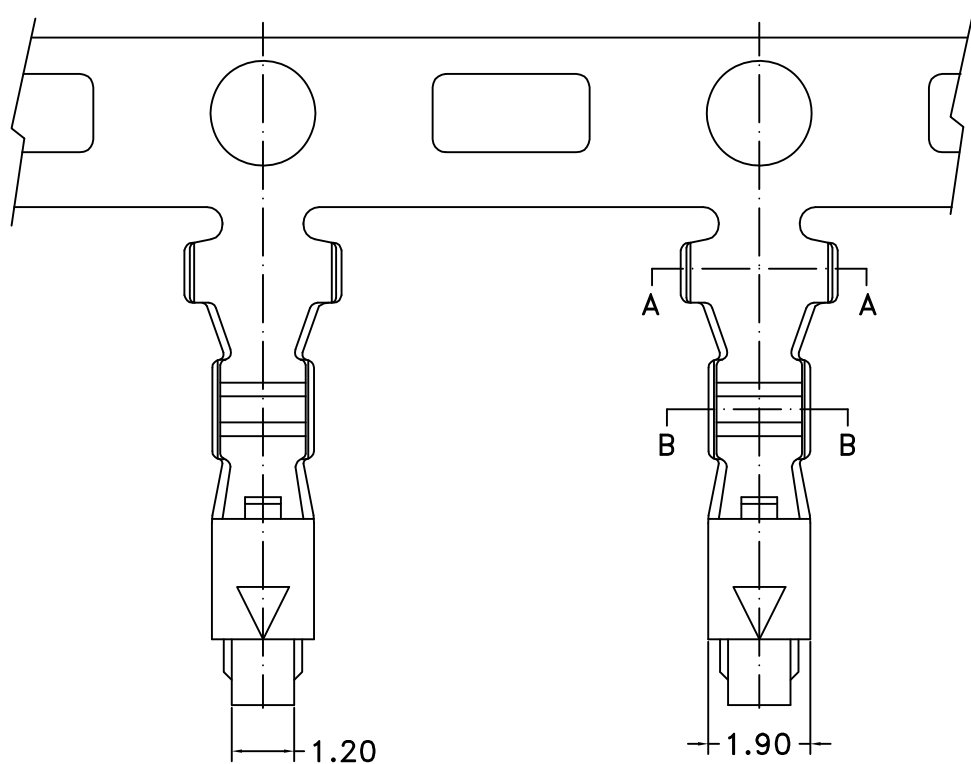
B

C

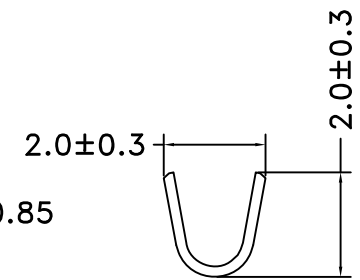
D

E

REVISIONS				
SYM	ECN No.	DESCRIPTION	DATE	APPROVED
A		MASS-PRODUCTION	12/06/2014	James



SECTION A-A



SECTION B-B

C2500M 0 B XX 007

Type
M=Female Terminal

SPECIAL
0=NO Special

Material
A=Phosphor

Finish
TP=Tin-Plated

Code
007

NOTE:
Suitable With:C2500HF Series Housing

TABLE:

CSG PART NO.	Wire Range	Insulation O.D.	Q'ty/Reel
C2500M0ATP007	AWG#22~#28	1.80mm(max)	7000PCS

TOLERANCE UNIT(mm)	APPROVALS	DATE
X. ±0.30	DRAWN Nio	12/06/2014
X.X ±0.25	CHECKED James	12/06/2014
X.XX ±0.15	APPROVED James	12/06/2014
X.XXX ±0.10		
ANGULAR ±2'		
UNLESS OTHERWISE SPECIFIED		

CSG Industrial Co.,Ltd http://www.csg-china.com			
TITLE SM 2.5 Female Terminal			
SCALE N.A.	PART NO. C2500M0ATP007	DRAWING NO. C2500M0ATP007 A	REV. A
SHEET 1 OF 1	CUSTOMER CODE	CUSTOMER PART NO.	



1

2

3

4

5