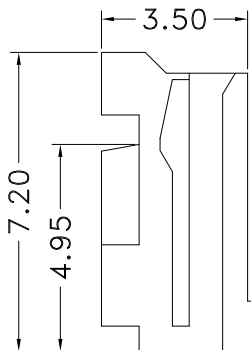
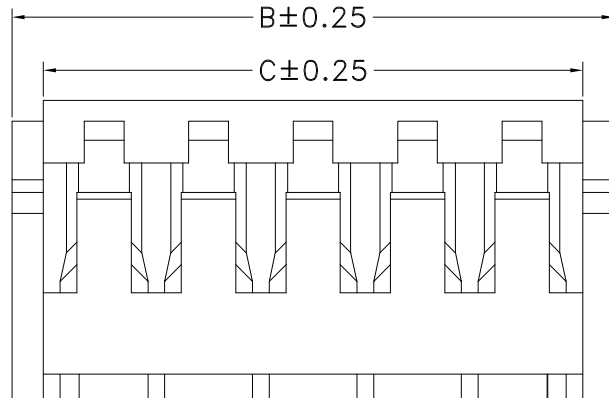
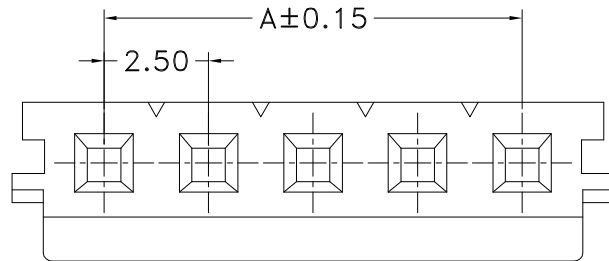


REVISIONS				
SYM	ECN No.	DESCRIPTION	DATE	APPROVED
A		MASS-PRODUCTION	10/14/2014	James



NOTE:
 Current rating:3A AC,DC
 Voltage rating:250V AC,DC
 Temperature range:-40°C~+85°C
 Insulation resistance:1000MΩ/Min
 Withstanding voltage:800V AC/minute
 Contact resistance:10mΩ/Max
 Suitable With:A2502M Series Terminal
 Mates With A2502 Series Wafer

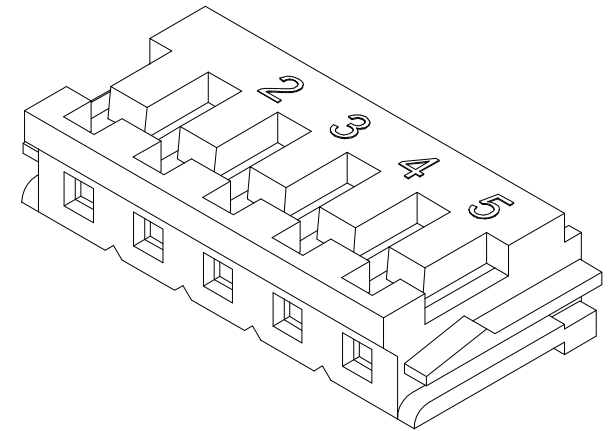
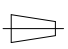


TABLE:

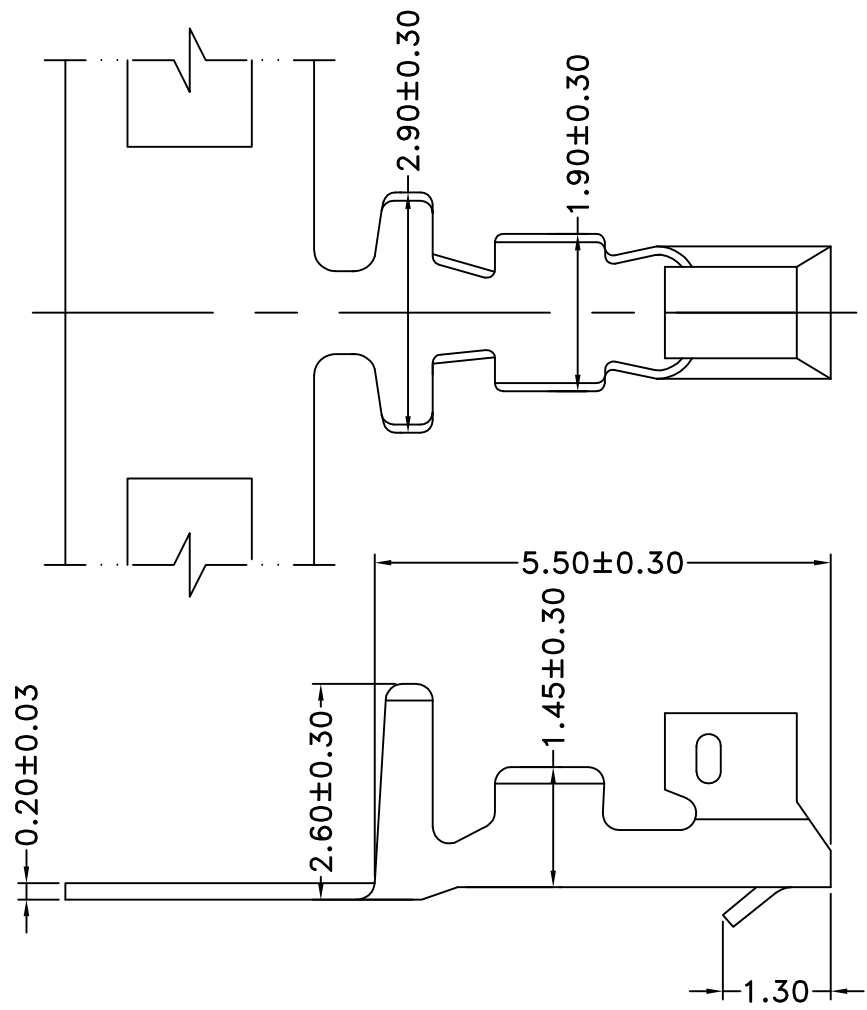
CSG PART NO.	Dimension mm			Q'ty/BAG
	A	B	C	
A2502HF002AAP6X007	2.50	7.00	5.40	2000PCS
A2502HF003AAP6X007	5.00	9.50	7.90	2000PCS
A2502HF004AAP6X007	7.50	12.00	10.40	2000PCS
A2502HF005AAP6X007	10.00	14.50	12.90	1000PCS
A2502HF006AAP6X007	12.50	17.00	15.40	1000PCS
A2502HF007AAP6X007	15.00	19.50	17.90	1000PCS
A2502HF008AAP6X007	17.50	22.00	20.40	1000PCS
A2502HF009AAP6X007	20.00	24.50	22.90	1000PCS
A2502HF010AAP6X007	22.50	27.00	25.40	1000PCS
A2502HF011AAP6X007	25.00	29.50	27.90	1000PCS
A2502HF012AAP6X007	27.50	32.00	30.40	1000PCS
A2502HF013AAP6X007	30.00	34.50	32.90	1000PCS
A2502HF014AAP6X007	32.50	37.00	35.40	1000PCS
A2502HF015AAP6X007	35.00	39.50	37.90	1000PCS

A2502HF OXX AA P6 X 007
 PIN
 002=2PINS
 015=15PINS
 SPECIAL
 AA=NO Special
 Material
 P6=PA66 94V-0
 Code
 007
 Color
 9=White



TOLERANCE UNIT(mm)	APPROVALS	DATE	CSG Industrial Co.,Ltd http://www.csg-china.com			
X. ±0.30	DRAWN		TITLE EH 2.50 Series Housing			
X.X ±0.25	CHECKED		SCALE N.A.	PART NO.	DRAWING NO.	REV.
X.XX ±0.15	APPROVED		SHEET 1 OF 1	A2502HF0XXAAP6X007	A2502HF0XXAAP6X007 A	A
X.XXX ±0.10			CUSTOMER CODE	CUSTOMER PART NO.		
ANGULAR ±2°						
UNLESS OTHERWISE SPECIFIED		UNIT MM				

REVISIONS				
SYM	ECN No.	DESCRIPTION	DATE	APPROVED
A		MASS-PRODUCTION	09/30/2014	James



A2502M 0 X TP 007

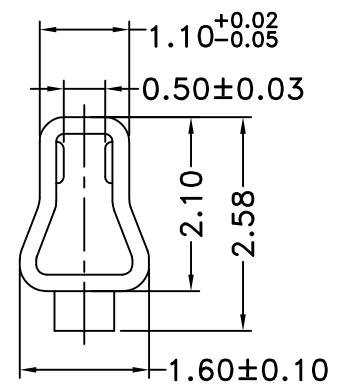
Type —
M=Female Terminal

SPECIAL —
0=NO Special

Material —
A=Phosphor

Finish —
TP=Tin-Plated

Code —
007



NOTE:
Suitable With:A2502HF Series Housing

TABLE:

CSG PART NO.	Wire Range	Insulation O.D.	Q'ty/Reel
A2502M0ATP007	AWG#22~#38	1.90mm(max)	10000PCS



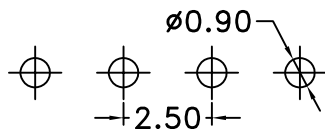
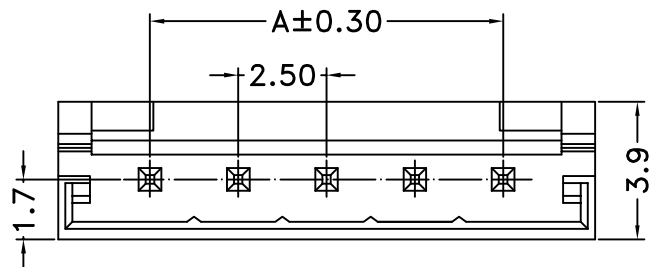
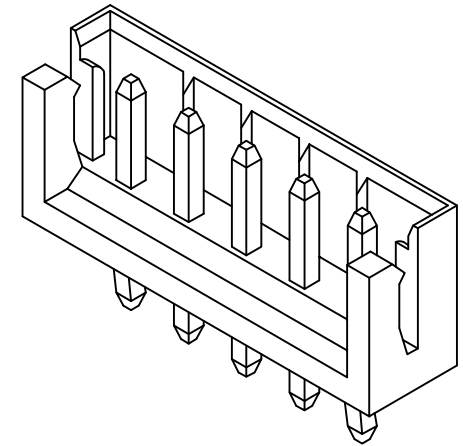
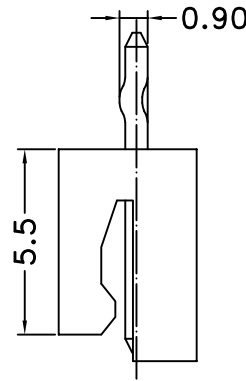
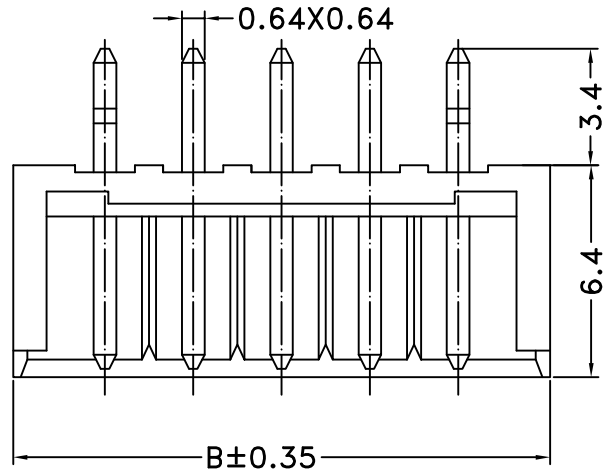
TOLERANCE UNIT(mm)	APPROVALS	DATE
X. ±0.30	DRAWN	
X.X ±0.25	CHECKED	
X.XX ±0.15	APPROVED	
X.XXX ±0.10		
ANGULAR ±2°		
UNLESS OTHERWISE SPECIFIED		

CSG Industrial Co.,Ltd http://www.csg-china.com			
TITLE EH 2.50 Series Terminal			
SCALE N.A.	PART NO. A2502M0ATP007	DRAWING NO. A2502M0ATP007 A	REV. A
SHEET 1 OF 1	CUSTOMER CODE	CUSTOMER PART NO.	

UNIT
MM

1
2
3
4
5

REVISIONS				
SYM	ECN No.	DESCRIPTION	DATE	APPROVED
A		MASS-PRODUCTION	10/14/2014	James



P.C.B. LAYOUT

NOTE:
 Current rating:3A AC,DC
 Voltage rating:250V AC,DC
 Temperature range:-25°C~+85°C
 Insulation resistance:1000MΩ/Min
 Withstanding voltage:800V AC/minute
 Contact resistance:10mΩ/Max
 Mates With A2502 Series Housing

A2502VD OXX AA P6 XX X X 007

PIN
 002=2PINS
 003=3PINS

SPECIAL
 AK=A K Feet

Material
 P6=PA66 94V-0

Finish
 TP=Tin-Plated

Code
 007

Color
 9=White

Packing
 C=PE Bag

TABLE:

CSG PART NO.	Dimension mm		Q'ty/BAG
	A	B	
A2502VD002AKP6XXXX007	2.50	7.50	2000PCS
A2502VD003AKP6XXXX007	5.00	10.00	2000PCS
A2502VD004AKP6XXXX007	7.50	12.50	2000PCS
A2502VD005AKP6XXXX007	10.00	15.00	1000PCS
A2502VD006AKP6XXXX007	12.50	17.50	1000PCS
A2502VD007AKP6XXXX007	15.00	20.00	1000PCS
A2502VD008AKP6XXXX007	17.50	22.50	1000PCS
A2502VD009AKP6XXXX007	20.00	25.00	1000PCS
A2502VD010AKP6XXXX007	22.50	27.50	1000PCS
A2502VD011AKP6XXXX007	25.00	30.00	1000PCS
A2502VD012AKP6XXXX007	27.50	32.50	1000PCS
A2502VD013AKP6XXXX007	30.00	35.00	1000PCS
A2502VD014AKP6XXXX007	32.50	37.50	1000PCS
A2502VD015AKP6XXXX007	35.00	40.00	1000PCS



TOLERANCE UNIT(mm)	APPROVALS	DATE
X. ±0.30	DRAWN	
X.X ±0.25	CHECKED	
X.XX ±0.15	APPROVED	
X.XXX ±0.10		
ANGULAR ±2'		
UNLESS OTHERWISE SPECIFIED		

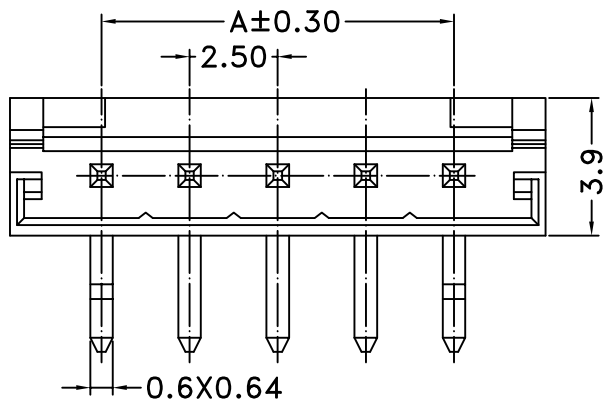
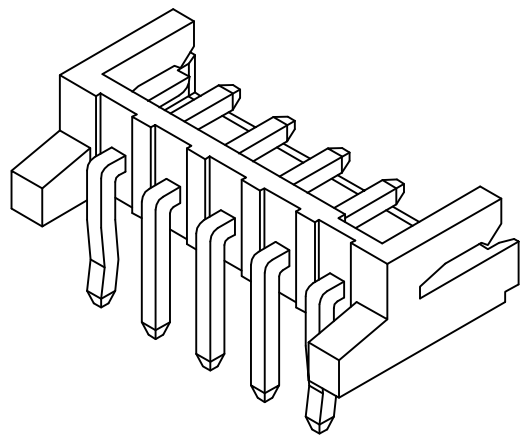
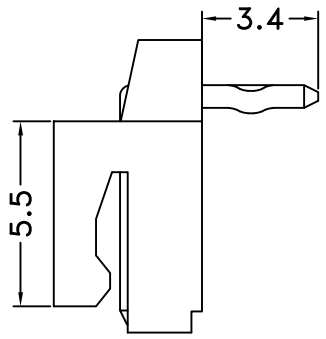
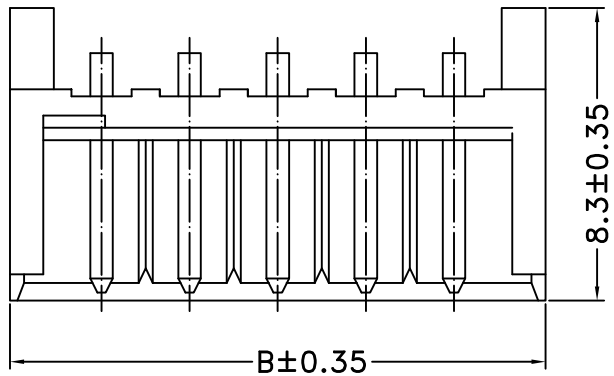
CSG Industrial Co.,Ltd
<http://www.csg-china.com>

TITLE: **EH 2.50 Series DIP Vertical Angle Wafer**

SCALE N.A.	PART NO.	DRAWING NO.	REV.
SHEET 1 OF 1	A2502VD0XXAKP6XXXX007	A2502VD0XXAKP6XXXX007 A	A
CUSTOMER CODE		CUSTOMER PART NO.	

UNIT: MM

REVISIONS				
SYM	ECN No.	DESCRIPTION	DATE	APPROVED
A		MASS-PRODUCTION	10/14/2014	James

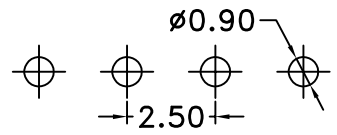


NOTE:
 Current rating:3A AC,DC
 Voltage rating:250V AC,DC
 Temperature range:-25°C~+85°C
 Insulation resistance:1000MΩ/Min
 Withstanding voltage:800V AC/minute
 Contact resistance:10mΩ/Max
 Mates With A2502 Series Housing

TABLE:

CSG PART NO.	Dimension mm		Q'ty/BAG
	A	B	
A2502RD002AKP6XXXX007	2.50	7.80	2000PCS
A2502RD003AKP6XXXX007	5.00	10.30	2000PCS
A2502RD004AKP6XXXX007	7.50	12.80	2000PCS
A2502RD005AKP6XXXX007	10.00	15.30	1000PCS
A2502RD006AKP6XXXX007	12.50	17.80	1000PCS
A2502RD007AKP6XXXX007	15.00	20.30	1000PCS
A2502RD008AKP6XXXX007	17.50	22.80	1000PCS
A2502RD009AKP6XXXX007	20.00	25.30	1000PCS
A2502RD010AKP6XXXX007	22.50	27.80	1000PCS
A2502RD011AKP6XXXX007	25.00	30.30	1000PCS
A2502RD012AKP6XXXX007	27.50	32.80	1000PCS
A2502RD013AKP6XXXX007	30.00	35.30	1000PCS
A2502RD014AKP6XXXX007	32.50	37.80	1000PCS
A2502RD015AKP6XXXX007	35.00	40.30	1000PCS

A2502RD OXX AA P6 XX X X 007
 PIN
 002=2PINS
 003=3PINS
 SPECIAL
 AK=A K Feet
 Material
 P6=PA66 94V-0
 Finish
 TP=Tin-Plated
 Code
 007
 Color
 9=White
 Packing
 C=PE Bag



P.C.B LAYOUT



TOLERANCE UNIT(mm)	APPROVALS	DATE
X. ±0.30	DRAWN	
X.X ±0.25	CHECKED	
X.XX ±0.15	APPROVED	
X.XXX ±0.10		
ANGULAR ±2°		
UNLESS OTHERWISE SPECIFIED		

CSG Industrial Co.,Ltd
<http://www.csg-china.com>

TITLE: EH 2.50 Series DIP Right Angle Wafer

SCALE N.A.	PART NO.	DRAWING NO.	REV.
SHEET 1 OF 1	A2502RD0XXAKP6XXXX007	A2502RD0XXAKP6XXXX007 A	A
CUSTOMER CODE		CUSTOMER PART NO.	